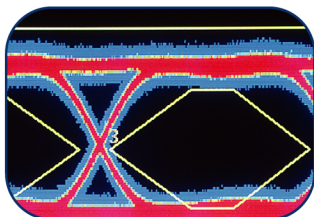


AWG5000B and AWG7000B Series Arbitrary Waveform Generators Programmer Manual



077-0061-00

Tektronix

**AWG5000B and AWG7000B Series
Arbitrary Waveform Generators
Programmer Manual**

Copyright © Tektronix, Inc. All rights reserved.

Tektronix products are covered by U.S. and foreign patents, issued and pending. Information in this publication supersedes that in all previously published material. Specifications and price change privileges reserved.

Tektronix, Inc., P.O. Box 500, Beaverton, OR 97077

TEKTRONIX and TEK are registered trademarks of Tektronix, Inc.

AWG5000 and AWG7000 Series Programmer Online Help, part number 076-0146-00.

Contacting Tektronix

Tektronix, Inc.
14200 SW Karl Braun Drive
P.O. Box 500
Beaverton, OR 97077
USA

For product information, sales, service, and technical support:

- In North America, call 1-800-833-9200.
- Worldwide, visit www.tektronix.com to find contacts in your area.

Warranty 2

Tektronix warrants that this product will be free from defects in materials and workmanship for a period of one (1) year from the date of shipment. If any such product proves defective during this warranty period, Tektronix, at its option, either will repair the defective product without charge for parts and labor, or will provide a replacement in exchange for the defective product. Parts, modules and replacement products used by Tektronix for warranty work may be new or reconditioned to like new performance. All replaced parts, modules and products become the property of Tektronix.

In order to obtain service under this warranty, Customer must notify Tektronix of the defect before the expiration of the warranty period and make suitable arrangements for the performance of service. Customer shall be responsible for packaging and shipping the defective product to the service center designated by Tektronix, with shipping charges prepaid. Tektronix shall pay for the return of the product to Customer if the shipment is to a location within the country in which the Tektronix service center is located. Customer shall be responsible for paying all shipping charges, duties, taxes, and any other charges for products returned to any other locations.

This warranty shall not apply to any defect, failure or damage caused by improper use or improper or inadequate maintenance and care. Tektronix shall not be obligated to furnish service under this warranty a) to repair damage resulting from attempts by personnel other than Tektronix representatives to install, repair or service the product; b) to repair damage resulting from improper use or connection to incompatible equipment; c) to repair any damage or malfunction caused by the use of non-Tektronix supplies; or d) to service a product that has been modified or integrated with other products when the effect of such modification or integration increases the time or difficulty of servicing the product.

THIS WARRANTY IS GIVEN BY TEKTRONIX WITH RESPECT TO THE PRODUCT IN LIEU OF ANY OTHER WARRANTIES, EXPRESS OR IMPLIED. TEKTRONIX AND ITS VENDORS DISCLAIM ANY IMPLIED WARRANTIES OF MERCHANTABILITY OR FITNESS FOR A PARTICULAR PURPOSE. TEKTRONIX' RESPONSIBILITY TO REPAIR OR REPLACE DEFECTIVE PRODUCTS IS THE SOLE AND EXCLUSIVE REMEDY PROVIDED TO THE CUSTOMER FOR BREACH OF THIS WARRANTY. TEKTRONIX AND ITS VENDORS WILL NOT BE LIABLE FOR ANY INDIRECT, SPECIAL, INCIDENTAL, OR CONSEQUENTIAL DAMAGES IRRESPECTIVE OF WHETHER TEKTRONIX OR THE VENDOR HAS ADVANCE NOTICE OF THE POSSIBILITY OF SUCH DAMAGES.

Table of Contents

Getting Started

Introduction	1-1
Remote Control	1-2
GPIB Parameters	1-3
LAN Parameters	1-4
Connecting to the Instrument using GPIB	1-5
Setting Up GPIB Communication	1-6
Documentation	1-9
Sample Program	1-10

Syntax and Commands

Command Syntax	2-1
Syntax Overview	2-1
Command and Query Structure	2-1
Clearing the Instrument	2-3
Command Entry	2-3
Parameter Types	2-5
SCPI Commands and Queries	2-9
Command Groups	2-11
Control group commands	2-11
Calibration Group Commands	2-12
Diagnostic Group Commands	2-12
Display Group Commands	2-13
Event Group Commands	2-13
Instrument Group Commands	2-13
Mass Memory Group Commands	2-13
Output Group Commands	2-14
Sequence Group Commands	2-14
Source Group Commands	2-16
Status Group Command	2-18
Synchronization Group Commands	2-19
System Group Commands	2-19
Trigger Group Commands	2-20
Waveform Group Commands	2-20

Command Descriptions	2-23
----------------------------	------

Status and Events

Status and Event Reporting.....	3-1
Status Reporting Structure	3-1
Registers	3-2
Status Registers	3-3
Status Byte Register (SBR).....	3-3
Standard Event Status Register (SESR).....	3-4
Operation Enable Register (OENR)	3-5
Operation Condition Register (OCR).....	3-5
Operation Event Register (OEVR).....	3-5
Questionable Condition Register (QCR).....	3-5
Enable Registers	3-5
Event Status Enable Register (ESER)	3-6
Service Request Enable Register (SRER).....	3-6
Questionable Enable Register (QENR).....	3-7
Queues	3-7
Operation Status Block.....	3-8
Questionable Status Block.....	3-8
Standard/Event Status Block	3-9
Synchronizing Execution	3-10
Messages and Codes	3-11
Messages and Codes.....	3-11
Command Errors.....	3-12
Execution errors.....	3-13
Device-specific Errors.....	3-15
Query Errors.....	3-15
Power On Event.....	3-16
User request Event.....	3-16
Request Control Event	3-16
Operation Complete Event.....	3-16

Appendices

Appendix A: Character Charts	A-1
Appendix B: GPIB Interface Specifications	B-1
GPIB Interface Specifications	B-1
Interface Functions	B-1
Interface Messages	B-3

Appendix C: SCPI Conformance Information	C-1
Appendix D: Raw Socket Specification.....	D-1
Appendix E: Factory Initialization Settings	E-1
Appendix F: Compatibility with Other Instruments	F-1

Getting Started

Introduction

This online programmer guide provides you with the information you need to use commands for remotely controlling your instrument. With this information, you can write computer programs that will perform functions such as setting the front-panel controls, selecting clock source, setting sampling rate, and exporting data for use in other programs. In addition to the traditional GPIB electronic interface, (referred to as the physical GPIB interface), your instrument is provided with a *TekVISA* GPIB-compatible interface, (referred to as the virtual GPIB interface).

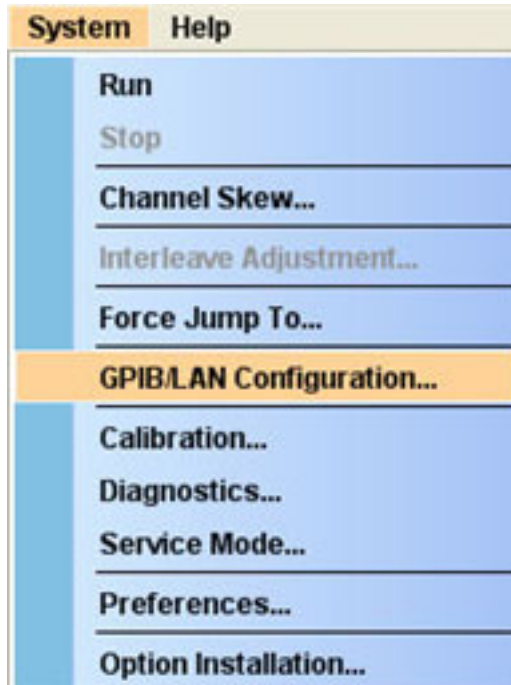
Refer to Documentation for information on related manuals and documents.

The programmer guide is divided into the following major topics (books):

- **Getting Started:** This topic introduces you to the online help and provides basic information about setting up your instrument for remote control.
- **Command Syntax:** This topic provides an overview of the command syntax that you will use to communicate with the instrument and other general information about commands, such as how commands and queries are constructed, how to enter commands, constructed mnemonics, and argument types.
- **Command Groups:** This topic contains all the commands listed in functional groups. Each group consists of an overview of the commands in that group and a table that lists all the commands and queries for that group. You can click a command in the listing to display a detailed description of the command.
- **Status and Events:** This topic discusses the status and event reporting system for the GPIB interface. This system informs you of certain significant events that occur within the instrument. Topics that are discussed include registers, queues, event handling sequences, synchronization methods, and messages that the instrument may return, including error messages.
- **Miscellaneous:** This topic contains miscellaneous information, such as a table of the factory initialization (default) settings, and GPIB interface specifications that may be helpful when using remote commands to control the instrument.

Remote Control

The AWG5000 and AWG7000 Series support GPIB interface and LAN interface. To set the GPIB address, you can use the **System Menu > GPIB/LAN Configuration** menu.



GPIB Interface

The GPIB enables up to 15 devices (including the controller) to be connected for concurrent use. With the arbitrary waveform generator connected to an external computer via GPIB, you can use the computer to remotely control your AWG5000 and AWG7000 Series. With the AWG5000 and AWG7000 Series, you can use the GPIB interface as a controller. See the GPIB Parameters for information on GPIB parameters.

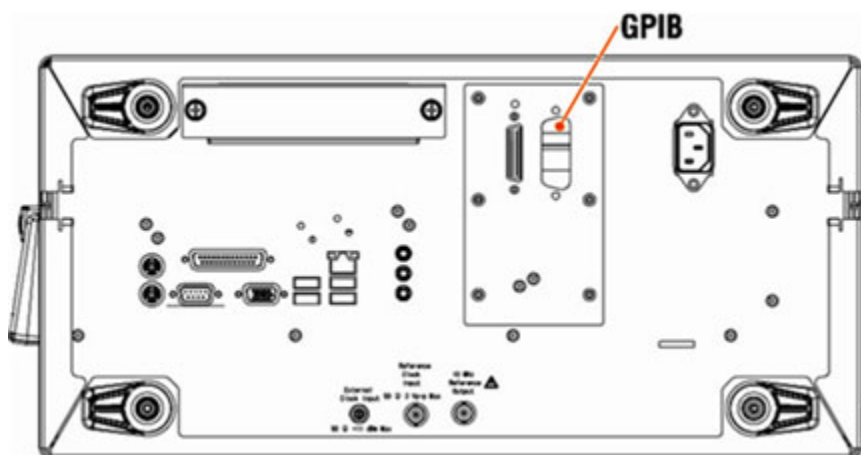
LAN Interface

The AWG5000 and AWG7000 Series accept two types of Ethernet LAN connections; one is simple (“Raw Socket”) connection, and the other is VXI-11 protocol. See the LAN Parameters for information on LAN parameters.

GPIB Parameters

To use the GPIB, the AWG5000 and AWG7000 Series require you to configure the GPIB mode and the GPIB address.

- **Talk/Listen:** Select this mode to remotely control your AWG5000 and AWG7000 Series using an external computer as the controller.
- **Off Bus:** Select this mode to electronically disconnect the AWG5000 and AWG7000 Series from the GPIB bus.
- **Address:** This address is a number that allows the software to identify each device connected to the GPIB bus. You must specify a unique number from 0 to 30 for each device.

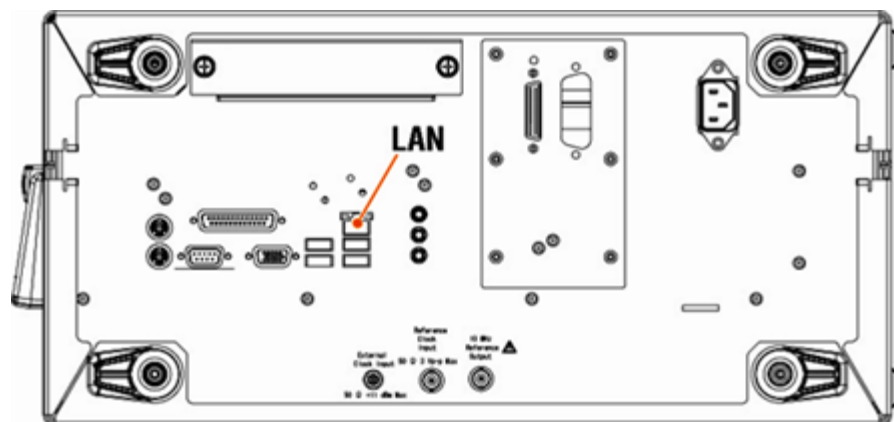


LAN Parameters

In the AWG5000 and AWG7000 Series, set parameters to start or stop a process that communicates through LAN. The instrument can communicate with LAN using the following methods:

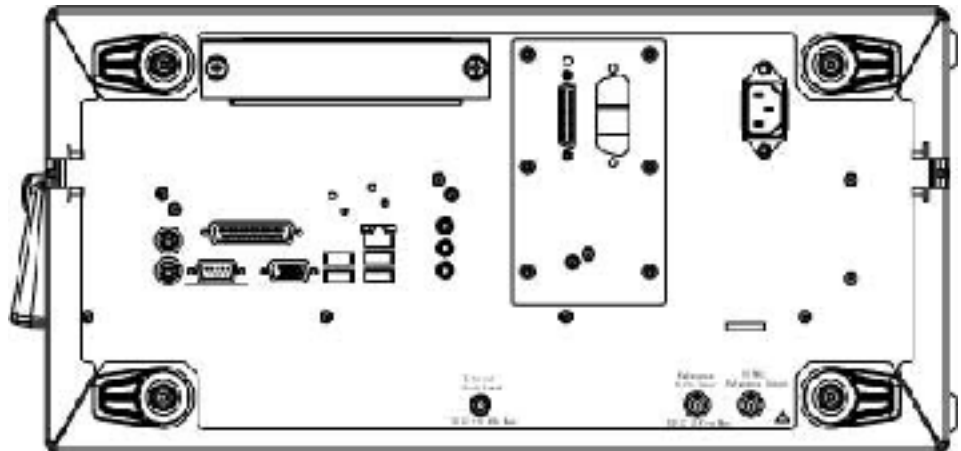
- VXI-11 Server (LAN): VXI-11 protocol used through TekVISA. To use this protocol, TekVISA must also be installed on the remote controller (PC).
- Raw Socket (LAN): TCP/IP protocol is used. Use the GPIB/LAN Configuration option to set the socket communication On and Off. You can specify the port number for the Raw Socket interface. This port number must be assigned to the application software or the Ethernet driver on the external controller.

By default, the AWG5000 and AWG7000 Series are specified to automatically acquire an IP address by DHCP. Refer to Windows documentation regarding network-related parameters. For TekVISA, refer to the TekVISA manual.



Connecting to the Instrument using GPIB

Your instrument has a 24-pin GPIB connector on its rear panel. This connector has a D-type shell and conforms to IEEE Std 488.1–1987. Attach an IEEE Std 488.1–1987 GPIB cable to this connector and to your controller as shown in the following figure.



Setting Up GPIB Communication

Before setting up your instrument for remote communications using the electronic (physical) GPIB interface, you should familiarize yourself with the following GPIB requirements:

- A unique device address must be assigned to each device on the bus. No two devices can share the same device address.
- No more than 15 devices can be connected to any one line.
- One device should be connected for every 6 feet (2 meters) of cable used. No more than 65 feet (20 meters) of cable should be used to connect devices to a bus.
- At least two-thirds of the devices on the network should be powered on while using the network.
- Connect the devices on the network in a star or linear configuration. Do not use loop or parallel configurations.

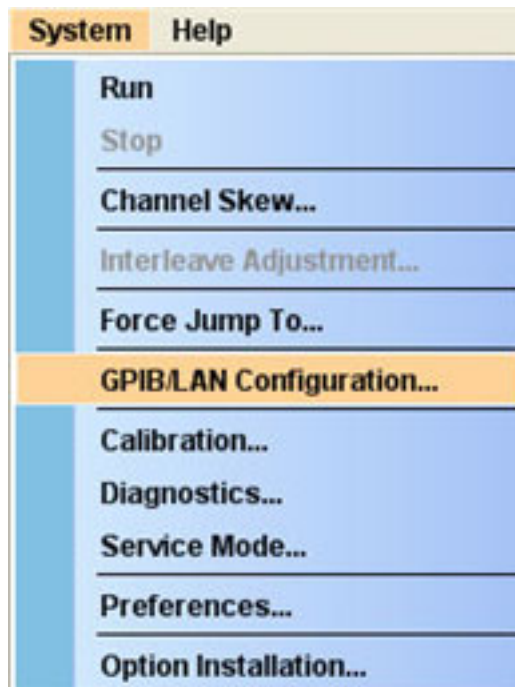
Setting the GPIB Address

To function correctly, your instrument must have a unique device address. The default settings for the GPIB configuration are:

- GPIB Address: 1
- GPIB Mode: Talk/Listen

To change the GPIB address settings, do the following:

1. Select GPIB/LAN Configuration... from the System menu.



2. The GPIB/LAN Configuration dialog box is displayed.



3. Change the GPIB Address to a unique address.
4. Click **OK** button.

Documentation

In addition to this AWG5000 and AWG7000 Series Programmer Online Guide, the following documentation is included with this instrument:

- AWG5000 or AWG7000 Series Arbitrary Waveform Generators Quick Start User Manual. The Quick Start User Manual has information about installing and operating your instrument.
- AWG5000 and AWG7000 Series Arbitrary Waveform Generators User Online Help. The User Online Help system is integrated with the User Interface application that ships with this product. The online help provides in-depth operation and user interface help.
- AWG5000 or AWG7000 Series Arbitrary Waveform Generators Specifications and Performance Verification Technical Reference Manual. The technical reference manual is a PDF only manual; it includes both the specifications and the performance verification procedure.
- AWG5000 and AWG7000 Series Service Manual is a PDF only manual; it includes procedures to service the instrument to the module level. The service manual is available on the Tektronix Web site (www.tektronix.com/manuals).

Sample Program

The sample program illustrates methods you can use to control the arbitrary waveform generator. This program sends waveform data and then starts waveform generation. You can access the sample program from Windows Start menu. Select **All Programs > Tektronix > AWG > Examples**.

This program is also included on the Document CD.

Syntax and Commands

Command Syntax

Syntax Overview

You can control the operations and functions of the instrument through the GPIB and LAN interface using commands and queries. The related topics listed below describe the syntax of these commands and queries. The topics also describe the conventions that the instrument uses to process them. See the Command Groups topic for a listing of the commands by command group or use the index to locate a specific command.

Refer to the following table for the symbols that are used.

Table 2-1: Syntax symbols and their meanings

Symbol	Meaning
< >	Defined element
::=	Is defined as
	Exclusive OR
{ }	Group; one element is required
[]	Optional; can be omitted
...	Previous elements can be repeated
()	Comment

Command and Query Structure

Overview Commands consist of set commands and query commands (usually called commands and queries). Commands modify instrument settings or tell the instrument to perform a specific action. Queries cause the instrument to return data and status information.

Most commands have both a set form and a query form. The query form of the command differs from the set form by its question mark on the end. For example, the set command `AWGControl:RRATE` has a query form `AWGControl:RRATE?`. Not all commands have both a set and a query form. Some commands have only set and some have only query.

Messages A command message is a command or query name followed by any information the instrument needs to execute the command or query. Command messages may contain five element types, defined in the following table.

Table 2-2: Message symbols and their meanings

Symbol	Meaning
<Header>	This is the basic command name. If the header ends with a question mark, the command is a query. The header may begin with a colon (:) character. If the command is concatenated with other commands, the beginning colon is required. Never use the beginning colon with command headers beginning with a star (*).
<Mnemonic>	This is a header subfunction. Some command headers have only one mnemonic. If a command header has multiple mnemonics, a colon (:) character always separates them from each other.
<Argument>	This is a quantity, quality, restriction, or limit associated with the header. Some commands have no arguments while others have multiple arguments. A <space> separates arguments from the header. A <comma> separates arguments from each other.
<Comma>	A single comma is used between arguments of multiple-argument commands. Optionally, there may be white space characters before and after the comma.
<Space>	A white space character is used between a command header and the related argument. Optionally, a white space may consist of multiple white space characters.

Commands Commands cause the instrument to perform a specific function or change one of the settings. Commands have the structure:

[:] <Header> [<Space> <Argument> [<Comma> <Argument>] . . .]

A command header consists of one or more mnemonics arranged in a hierarchical or tree structure. The first mnemonic is the base or root of the tree and each subsequent mnemonic is a level or branch off the previous one. Commands at a higher level in the tree may affect those at a lower level. The leading colon (:) always returns you to the base of the command tree.

Queries Queries cause the instrument to return status or setting information. Queries have the structure:

[:] <Header> ?

[:] <Header> ? [<Space> <Argument> [<Comma> <Argument>] . . .]

Clearing the Instrument

You can clear the Output Queue and reset the instrument to accept a new command or query by using the Device Clear (DCL) or Selected Device Clear (SDC) GPIB functions. Refer to your GPIB library documentation for further details about the Device Clear operation.

Command Entry

- Rules** The following rules apply when entering commands:
- You can enter commands in upper or lower case.
 - You can precede any command with white space characters. White space characters include any combination of the ASCII control characters 00 through 09 and 0B through 20 hexadecimal (0 through 9 and 11 through 32 decimal).
 - The instrument ignores commands consisting of any combination of white space characters and line feeds.

Abbreviating You can abbreviate many instrument commands. Each command in this documentation shows the abbreviations in capitals. For example, you can enter the command `MMEory:CATalog` simply as `MMEM:CAT`.

Concatenating

You can concatenate any combination of set commands and queries using a semicolon (;). The instrument executes concatenated commands in the order received. When concatenating commands and queries, you must follow these rules:

1. Separate completely different headers by a semicolon and by the beginning colon on all commands except the first one. For example, the commands `TRIGGER:IMPedance 50` and `AWGControl:RMODE TRIGGERed`, can be concatenated into the following single command:

```
TRIGGER:IMPedance 50;:AWGControl:RMODE TRIGGERed
```

2. If concatenated commands have headers that differ by only the last mnemonic, you can abbreviate the second command and eliminate the beginning colon. For example, you can concatenate the commands `TRIGGER:SOURCE EXTERNAL` and `TRIGGER:POLarity NEGative` into a single command:

```
SOURCE EXTERNAL, NEGative
```

The longer version works equally well:

```
TRIGGER:SOURCE EXTERNAL;:TRIGGER:POLarity NEG
```

3. Never precede a star (*) command with a semicolon (;) or colon (:).
4. When you concatenate queries, the responses to all the queries are concatenated into a single response message. For example, if the high level of the marker1 of channel one is 1.0 V and the low level of that is 0.0 V, the concatenated query `SOURCE1:MARKer:VOLTage:HIGH?`; `SOURCE1:MARKer:VOLTage:LOW?` will return the following:

1.0;0.0
5. Set commands and queries may be concatenated in the same message. For example, `AWGControl:RMODE SEQUENCE;SEQUENCE:LENGTH?` is a valid message that sets the run mode to Sequence. The message then queries the length of the sequence. Concatenated commands and queries are executed in the order received.

Here are some invalid concatenations:

- `TRIGGER:SOURCE INTERNAL;AWGControl:RMODE TRIGGERed` (no colon before AWGControl)
- `TRIGGER:SOURCE INTERNAL;:TRIGGER:POLarity NEG` (extra colon before TRIGGER:SOURCE INTERNAL;POLarity NEG instead)

Terminating

This documentation uses <EOM> (end of message) to represent a message terminator.

Table 2-3: Message terminator and meaning

Symbol	Meaning
<EOM>	Message terminator

For messages sent to the instrument, the end-of-message terminator must be the END message (EOI asserted concurrently with the last data byte). The instrument always terminates messages with LF and EOI. It allows white space before the terminator. For example, it allows CR LF.

Parameter Types

Parameters are indicated by angle brackets, such as <file_name>. There are several different types of parameters, as listed in the following table. The parameter type is listed after the parameter. Some parameter types are defined specifically for the AWG5000 and AWG7000 series command set and some are defined by SCPI.

Table 2-4: Parameter types, their descriptions, and examples

Parameter type	Description	Example
Arbitrary block	A block of data bytes	#21012234567890
Boolean	Boolean numbers or values	ON or ≠ 0 OFF or 0
Discrete	A list of specific values	MINimum, MAXimum
NR1 numeric	Integers	0, 1, 15, -1
NR2 numeric	Decimal numbers	1.2, 3.141, -6.5
NR3 numeric	Floating point numbers	3.1415E+9
NRf numeric	Flexible decimal numbers that may be type NR1, NR2, or NR3	See NR1, NR2n NR3 examples in this table
String	Alphanumeric characters (must be within quotation marks)	"Testing 1, 2, 3"

About MIN, MAX

You can use MINimum and MAXimum keywords in addition to Numeric in the commands with the “Numeric” parameter. You can set the minimum value or the maximum value by using these keywords. You can query the minimum value or the maximum value at that time.

Block Several instrument commands use a block argument form (see the following table).

Table 2-5: Block symbols and their meanings

Symbol	Meaning
<NZDig>	A nonzero digit character in the range of 1–9
<Dig>	<Dig> A digit character, in the range of 0–9
<DChar>	A character with the hexadecimal equivalent of 00 through FF (0 through 255 decimal)
<Block>	A block of data bytes defined as: <Block> ::= {#<NZDig><Dig>[<Dig>...][<DChar>...] [#0[<DChar>...]<terminator>}

<NZDig> specifies the number of <Dig> elements that follow. Taken together, the <Dig> elements form a decimal integer that specifies how many <DChar> elements follow.

Quoted String Some commands accept or return data in the form of a quoted string, which is simply a group of ASCII characters enclosed by a single quote (') or double quote ("). For example: "this is a quoted string". This documentation represents these arguments as follows:

Table 2-6: String symbol and meaning

Symbol	Meaning
<QString >	Quoted string of ASCII text

A quoted string can include any character defined in the 7-bit ASCII character set. Follow these rules when you use quoted strings:

1. Use the same type of quote character to open and close the string. For example: “this is a valid string”.
2. You can mix quotation marks within a string as long as you follow the previous rule. For example, “this is an ‘acceptable’ string”.
3. You can include a quote character within a string simply by repeating the quote.
For example: “here is a “” mark”.
4. Strings can have upper or lower case characters.
5. If you use a GPIB network, you cannot terminate a quoted string with the END message before the closing delimiter.
6. A carriage return or line feed embedded in a quoted string does not terminate the string, but is treated as just another character in the string.
7. The maximum length of a quoted string returned from a query is 1000 characters.

Here are some invalid strings:

- “Invalid string argument’ (quotes are not of the same type)
- “test<EOI>” (termination character is embedded in the string)

Units and SI Prefix

If the decimal numeric argument refers to voltage, frequency, impedance, or time, you can express it using SI units instead of using the scaled explicit point input value format <NR3>. (SI units are units that conform to the System International d’Unites standard.) For example, you can use the input format 200 mV or 1.0 MHz instead of 200.0E-3 or 1.0E+6, respectively, to specify voltage or frequency.

You can omit the unit when you describe commands, but you must include the SI unit prefix. You can enter both uppercase and lowercase characters. The following list shows examples of units you can use with the commands.

- V for voltage (V).
- HZ for frequency (Hz).
- OHM for impedance (ohm).
- S for time (s).
- DBM for power ratio.
- PCT for %.
- VPP for Peak-to-Peak Voltage (V p-p).
- UIPP for Peak-to-Peak, Unit is UI (UI p-p).
- UIRMS for RMS, Unit is UI (UIrms).
- SPP for Peak-to-Peak, Unit is second (s p-p).
- SRMS for RMS, Unit is second (srms).
- V/NS for SLEW's unit (V/ns).

In the case of angles, you can use RADian and DEGree. The default unit is RADian. The SI prefixes, which must be included, are shown in the following table. You can enter both uppercase and lowercase characters.

Table 2-7: SI prefixes and their indexes

SI prefix ¹	Corresponding power
EX	10 ¹⁸
PE	10 ¹⁵
T	10 ¹²
G	10 ⁹
MA	10 ⁶
K	10 ³
M	10 ⁻³
U ²	10 ⁻⁶
N	10 ⁻⁹
P	10 ⁻¹²
F	10 ⁻¹⁵
A	10 ⁻¹⁸

¹ Note that the prefix m/M indicates 10⁻³ when the decimal numeric argument denotes voltage or time, but indicates 10⁶ when it denotes frequency.

² Note that the prefix u/U is used instead of "µ".

Since M (m) can be interpreted as 1E-3 or 1E6 depending on the units, use mV for V, and MHz for Hz.

The SI prefixes need units.

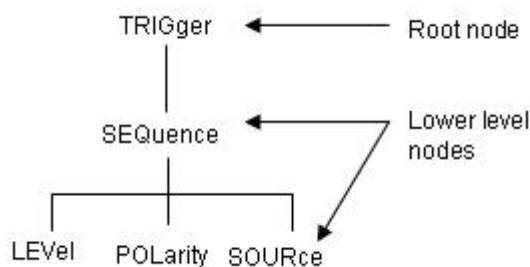
correct: 10MHz, 10E+6Hz, 10E+6

incorrect: 10M

SCPI Commands and Queries

The arbitrary waveform generator uses a command language based on the SCPI standard. The SCPI (Standard Commands for Programmable Instruments) standard was created by a consortium to provide guidelines for remote programming of instruments. These guidelines provide a consistent programming environment for instrument control and data transfer. This environment uses defined programming messages, instrument responses and data formats that operate across all SCPI instruments, regardless of manufacturer.

The SCPI language is based on a hierarchical or tree structure that represents a subsystem (see following figure). The top level of the tree is the root node; it is followed by one or more lower-level nodes.



You can create commands and queries from these subsystem hierarchy trees. Commands specify actions for the instrument to perform. Queries return measurement data and information about parameter settings.

Command Groups

Control group commands

You can use the following commands to control operating modes:

Table 2-8: Control group commands and their descriptions

Command	Description
AWGControl:CLOCK:DRATe	Sets or returns the divider rate for the external oscillator
AWGControl:CLOCK:PHASe[:ADJust]	Sets or returns the clock phase adjust
AWGControl:CLOCK:SOURce	Sets or returns the clock source
AWGControl:CONFigure:CNUMber?	Returns the number of channels available on the instrument
AWGControl:DC[n]::STATe]	Sets or returns the DC state
AWGControl:DC[n]:VOLTage[:LEVel][:IMMediate]:OFFSet	Sets or returns the DC output offset
AWGControl:DOUput[n]::STATe]	Outputs the raw waveform in the DAC of the specified channel
AWGControl:EVENT:SOFTware[:IMMediate]	Executes the sequencer jump to the specified element index
AWGControl:INterleave:ADJustment:AMPLitude	Sets or returns the interleave adjustment amplitude
AWGControl:INterleave:ADJustment:PHASe	Sets or returns the interleave adjustment phase
AWGControl:INterleave[::STATe]	Enables or disables the interleave state for channels
AWGControl:INterleave:ZERoing	Sets or removes the zeroing option for the interleave mode
AWGControl:RMODE	Sets or returns the run mode of the arbitrary waveform generator
AWGControl:RRATe	Sets or returns the repetition rate of the arbitrary waveform generator
AWGControl:RRATe:HOLD	Sets or returns the hold property of repetition rate
AWGControl:RSTate?	Returns the state of the arbitrary waveform generator or sequencer
AWGControl:RUN[:IMMediate]	Initiates the output of a waveform or a sequence
AWGControl:SEQuencer:POSition?	Returns the current position of the sequencer
AWGControl:SEQuencer:TYPE?	Returns the type of the arbitrary waveform generator's sequencer

Table 2-8: Control group commands and their descriptions (cont.)

Command	Description
AWGControl:SNAME?	Returns the current setup file name of the arbitrary waveform generator
AWGControl:SREStore	Restores the arbitrary waveform generator's setting from a specified settings file
AWGControl:SSAVe	Saves the arbitrary waveform generator's setting to a specified settings file
AWGControl:STOP[:IMMediate]	Stops the output of a waveform or a sequence

Calibration Group Commands

You can use the following calibration commands to calibrate the arbitrary waveform generator:

Table 2-9: Calibration group commands and their descriptions

Command	Description
*CAL?	Performs an internal calibration of the arbitrary waveform generator and returns the status
CALibration[:ALL]	Performs a full calibration of the arbitrary waveform generator

Diagnostic Group Commands

You can use the following diagnostic commands to control self-test diagnostic routines:

Table 2-10: Diagnostic group commands and their descriptions

Command	Description
DIAGnostic:DATA?	Returns the result of a self test
DIAGnostic[:IMMediate]	Executes selected self test routines
DIAGnostic:SElect	Selects the self-test routines
*TST?	Executes a self test

Display Group Commands

You can use the following display commands to set the display state of waveform and sequence windows on the AWG5000 and AWG7000 series instrument:

Table 2-11: Display group commands and their descriptions

Command	Description
DISPlay[:WINDow[1 2]][:STATe]	Minimizes or restores the sequence or waveform window of the arbitrary waveform generator

Event Group Commands

You can use the following event commands to configure external event input and generate an event:

Table 2-12: Event group commands and their descriptions

Command	Description
EVENT[:IMMediate]	Generates a forced event
EVENT:IMPedance	Sets or returns the impedance of the external event input
EVENT:JTIMing	Sets or returns the jump timing
EVENT:LEVel	Sets or returns the event level
EVENT:POLarity	Sets or returns the polarity of event signal

Instrument Group Commands

You can use the following instrument commands to set or return the coupled state of instrument models:

Table 2-13: Instrument group commands and their descriptions

Command	Description
INSTrument:COUPLe:SOURce	Sets or returns the coupled state for a channel

Mass Memory Group Commands

You can use the following mass memory commands to read/write data from/to hard disk on the instrument:

Table 2-14: Mass Memory group commands and their descriptions

Command	Description
<code>MMEMemory:CATalog?</code>	Returns the current contents and state of the mass storage media
<code>MMEMemory:CDIRectory</code>	Sets or returns the current directory of the file system on the arbitrary waveform generator
<code>MMEMemory:DATA</code>	Sets or returns block data to/from the file in the current mass storage device
<code>MMEMemory:DELeTe</code>	Deletes a file or directory from the instrument's hard disk
<code>MMEMemory:IMPort</code>	Imports a file into arbitrary waveform generator's setup as a waveform
<code>MMEMemory:IMPort:PARAmeter:FREQuency:UPDate[:STATe]</code>	Sets or queries FREquency parameter that decides whether frequency is modified during waveform import
<code>MMEMemory:IMPort:PARAmeter:LEVel:UPDate[:CHANnel]</code>	Sets or queries the channel of which the amplitude and offset values are selected to be updated during import
<code>MMEMemory:IMPort:PARAmeter:LEVel:UPDate[:STATe]</code>	Sets or queries LEVel parameter that decides whether amplitude and offsets are modified during waveform import
<code>MMEMemory:IMPort:PARAmeter:NORMAlize</code>	Sets or queries whether waveform data are to be normalized
<code>MMEMemory:MDIRectory</code>	Creates a new directory in the current path on the mass storage system
<code>MMEMemory:MSIS</code>	Selects a mass storage device used by all MMEMemory commands

Output Group Commands

You can use the following output commands to set or return the characteristics of the output port of the arbitrary waveform generator:

Table 2-15: Output group commands and their descriptions

Command	Description
<code>OUTPut[n]:FILTer[:LPASs]:FREQuency</code>	Sets or returns the low pass filter frequency of the filter
<code>OUTPut[n][:STATe]</code>	Sets or returns the output state of the arbitrary waveform generator

Sequence Group Commands

You can use the following sequence commands to define and edit a sequence:

Table 2-16: Sequence group commands and their descriptions

Command	Description
<code>SEquence:ELEMEnt[n]:GOTO:INDEX</code>	Sets or retrieves the target index for the GOTO command of the sequencer
<code>SEquence:ELEMEnt[n]:GOTO:STATE</code>	Sets or retrieves the GOTO state of the sequencer
<code>SEquence:ELEMEnt[n]:JTARget:INDEX</code>	Sets or retrieves the target index for the sequencer's event jump operation
<code>SEquence:ELEMEnt[n]:JTARget:TYPE</code>	Sets or queries the target type for the jump
<code>SEquence:ELEMEnt[n]:LOOP:COUNT</code>	Sets or queries the loop count
<code>SEquence:ELEMEnt[n]:LOOP:INFinite</code>	Sets or returns the infinite looping state for a sequence element
<code>SEquence:ELEMEnt[n]:TWAit</code>	Sets or returns the wait trigger state for an element on or off
<code>SEquence:ELEMEnt[n]:WAVEform</code>	Sets or returns the waveform for a sequence element
<code>SEquence:JUMP[:IMMediate]</code>	Executes the sequencer jump to the specified element index
<code>SEquence:LENGth</code>	Sets or returns the sequence length

Sequence Commands

The following set of commands provides ways to create and edit the waveform sequences in AWG5000 and AWG7000 Series instruments. When the instrument runs a sequence, it outputs the waveforms in the order defined in the sequence.

To run a sequence, the instrument must be first put in the Sequence mode. This can be done by using either the instrument interface or the `AWGControl:RMODE SEQUENCE` command. Once the instrument is in the Sequence mode, it uses either the hardware or the software sequencer to execute the sequence. You can query the current sequencer type using the `AWGControl:SEQUENCER:TYPE?` command. However, it is not possible to select the sequencer type.

There is only one sequence defined for an instrument. This is common to all channels. Refer to the AWG5000 and AWG7000 Series Arbitrary Waveform Generators User Manual for a detailed discussion on sequencing waveforms.

Creating and Working with Sequences

To create a sequence programmatically, first set the sequence length using `SEQUENCE:LENGth(?)` command. This creates a sequence of specified length. At this stage all elements of the sequence will have their parameters set to default values. The default values are as follows:

Table 2-17: Sequence element parameters and their default values

Sequence element parameter name	Default value	Remote command to query or set the parameter
CH 1 Waveform	""	SEquence:ELEMent[n]:WAVeform
CH 2 Waveform	""	SEquence:ELEMent[n]:WAVeform
Trigger Wait State	0	SEquence:ELEMent[n]:TWAit
Infinite loop flag	0	SEquence:ELEMent[n]:LOOP:INFinite
Loop count	1	SEquence:ELEMent[n]:LOOP:COUNT
Event Jump Type	OFF	SEquence:ELEMent[n]:JTARget:TYPE
Event Jump target index	1	SEquence:ELEMent[n]:JTARget:INDEX
Go To target Index	1	SEquence:ELEMent[n]:GOTO:INDEX

To learn how to use the commands to create a sequence, refer to the individual command descriptions.

Source Group Commands

You can use the following source commands to set and query the waveform or marker output parameter:

Table 2-18: Source group commands and their descriptions

Command	Description
[SOURce[1]]:FREQuency[:CW]:FIXed]	Sets or returns the sampling frequency of the arbitrary waveform generator
[SOURce[1]]:ROSCillator:FREQuency	Selects the reference oscillator frequency
[SOURce[1]]:ROSCillator:MULTiplier	Sets or returns the reference oscillator multiplier rate
[SOURce[1]]:ROSCillator:SOURce	Selects the reference oscillator source
[SOURce[1]]:ROSCillator:TYPE	Selects the type of the reference oscillator
[SOURce[n]]:COMBine:FEED	Adds the signal from an external input to the output of the channel
[SOURce[n]]:DAC:RESolution	Sets or returns the DAC resolution
[SOURce[n]]:DELay[:ADJust]	Sets or returns the delay (in seconds) of the analog output
[SOURce[n]]:DELay:POINts	Sets or returns the delay (in points) of the analog output
[SOURce[n]]:DIGital:VOLTag[:LEVel]:IMMediate[:AMPLitude]	Sets or returns the amplitude of digital output

Table 2-18: Source group commands and their descriptions (cont.)

Command	Description
[SOURce[n]]:DIGital:VOLTage[:LEVel][:IMMediate]:HIGH	Sets or returns the high digital output
[SOURce[n]]:DIGital:VOLTage[:LEVel][:IMMediate]:LOW	Sets or returns the low digital output
[SOURce[n]]:DIGital:VOLTage[:LEVel][:IMMediate]:OFFSet	Sets or returns the offset of digital output
[SOURce[n]]:VOLTage[:LEVel][:IMMediate]:AMPLitude	Sets or returns the amplitude of digital output
[SOURce[n]]:MARKer[1 2]:VOLTage[:LEVel][:IMMediate]:HIGH	Sets or returns the high digital output
[SOURce[n]]:DIGital:VOLTage[:LEVel][:IMMediate]:LOW	Sets or returns the low digital output
[SOURce[n]]:DIGital:VOLTage[:LEVel][:IMMediate]:OFFSet	Sets or returns the offset of digital output
[SOURce[n]]:FUNCTION:USER	Sets or returns the waveform to waveform memory
[SOURce[n]]:MARKer[1 2]:DELay	Sets or returns the marker delay
[SOURce[n]]:MARKer[1 2]:VOLTage[:LEVel][:IMMediate]:AMPLitude	Sets the marker amplitude
[SOURce[n]]:MARKer[1 2]:VOLTage[:LEVel][:IMMediate]:HIGH	Sets the marker high level
[SOURce[n]]:MARKer[1 2]:VOLTage[:LEVel][:IMMediate]:LOW	Sets the marker low level
[SOURce[n]]:MARKer[1 2]:VOLTage[:LEVel][:IMMediate]:OFFSet	Sets the marker offset
[SOURce[n]]:PDELay:HOLD	Sets or returns which parameter is retained when sampling rate or waveform length is changed
[SOURce[n]]:PHASe[:ADJust]	Sets or returns the phase of the analog output
[SOURce[n]]:SKEW	Sets or returns the skew for the waveform associated with a channel
[SOURce[n]]:VOLTage[:LEVel][:IMMediate]:AMPLitude	Sets or returns the amplitude for the waveform associated with a channel
[SOURce[n]]:VOLTage[:LEVel][:IMMediate]:HIGH	Sets or returns the high voltage level for the waveform associated with a channel
[SOURce[n]]:VOLTage[:LEVel][:IMMediate]:LOW	Sets or returns the low voltage level for the waveform associated with a channel

Table 2-18: Source group commands and their descriptions (cont.)

Command	Description
[SOURce[n]]:VOLTage[:LEVel][:IMMediate]:OFFSet	Sets or returns the offset for the waveform associated with a channel
[SOURce[n]]:WAVEform	Sets or returns the output waveform from the current waveform list for each channel when Run Mode is not Sequence

Status Group Command

The external controller uses the status commands to coordinate operation between the arbitrary waveform generator and other devices on the bus. The status commands set and query the registers/queues of the arbitrary waveform generator event/status reporting system. For more information about registers and queues, see Status and Event reporting section.

Table 2-19: Status group commands and their descriptions

Command	Description
*CLS	Clears all event registers and queues
*ESE	Sets or queries the status of Event Status Enable Register (ESER)
*ESR?	Returns the status of Standard Event Status Register (SESR)
*SRE	Sets or queries the bits in Service Request Enable Register (SRER)
*STB?	Returns the contents of Status Byte Register (SBR)
STATus:OPERation:CONDition?	Returns the contents of the Operation Condition Register (OCR)
STATus:OPERation:ENABLE	Sets or returns the mask for the Operation Enable Register (OENR)
STATus:OPERation[:EVENT]?	Returns the contents of Operation Event Register (OEVR)
STATus:PRESet	Sets the OENR and QENR registers
STATus:QUESTionable:CONDition?	Returns the status of the Questionable Condition Register (QCR)

Table 2-19: Status group commands and their descriptions (cont.)

Command	Description
<code>STATus:QUEStionable:ENABle</code>	Sets or returns the mask for Questionable Enable Register (QENR)
<code>STATus:QUEStionable[:EVENT]?</code>	Returns the status of the Questionable Event (QEVN) Register and clears it

Synchronization Group Commands

The external controller uses the synchronization commands to prevent external communication from interfering with arbitrary waveform generator operation.

Table 2-20: Synchronization group commands and their descriptions

Command	Description
<code>*OPC</code>	Ensures the completion of the first command before the second command is issued
<code>*WAI</code>	Prevents the arbitrary waveform generator from executing further commands until all pending commands are executed

System Group Commands

You can use the following system commands to control miscellaneous instrument functions:

Table 2-21: System group commands and their descriptions

Command	Description
<code>*IDN?</code>	Returns identification information for the arbitrary waveform generator
<code>*OPT?</code>	Returns the implemented options for the arbitrary waveform generator
<code>*RST</code>	Resets the arbitrary waveform generator to its default state
<code>SYSTem:DATE</code>	Sets or returns the system date
<code>SYSTem:ERRor[:NEXT]?</code>	Retrieves and returns data from the error and event queues
<code>SYSTem:KLOCK</code>	Locks or unlocks the keyboard and front panel of the arbitrary waveform generator

Table 2-21: System group commands and their descriptions (cont.)

Command	Description
<code>SYSTem:TIME</code>	Sets or returns the system time
<code>SYSTem:VERSion?</code>	Returns the SCPI version number to which the command conforms

Trigger Group Commands

You can use the following trigger commands synchronize the arbitrary waveform generator actions with events:

Table 2-22: Trigger group commands and their descriptions

Command	Description
<code>*TRG</code>	Generates a trigger event <code>ABORt</code> Stops waveform generation when the AWG is in gated mode
<code>ABORt</code>	Stops waveform generation when the AWG is in gated mode
<code>TRIGger[:SEquence][:IMMediate]</code>	Generates a trigger event
<code>TRIGger[:SEquence]:IMPedance</code>	Sets or returns the trigger impedance
<code>TRIGger[:SEquence]:LEVel</code>	Sets or returns the trigger input level (threshold)
<code>TRIGger[:SEquence]:MODE</code>	Sets or returns the trigger timing
<code>TRIGger[:SEquence]:POLarity</code>	Sets or returns the trigger input polarity
<code>TRIGger[:SEquence]:SLOPe</code>	Sets or returns the trigger slope
<code>TRIGger[:SEquence]:SOURce</code>	Sets or returns the trigger source
<code>TRIGger[:SEquence]:TIMer</code>	Sets or returns the internal trigger rate (trigger interval)
<code>TRIGger[:SEquence]:WVALue</code>	Sets or returns the output data position of a waveform while the instrument is in the waiting-for-trigger state

Waveform Group Commands

You can use the following waveform commands to create and transfer waveforms between the instrument and the external controller:

Table 2-23: Waveform group commands and their descriptions

Command	Description
WLIS:NAME?	Returns the waveform name of an element in the waveform list
WLIS:SIZE?	Returns the size of the waveform list
WLIS:WAVEform:DATA	Transfers waveform data from external controller into the waveform list or from the waveform list to the external control program
WLIS:WAVEform:DELeTe	Deletes the waveform from the currently loaded setup
WLIS:WAVEform:LENGth?	Returns the size of the waveform
WLIS:WAVEform:MARKer:DATA	Sets or queries the waveform marker data
WLIS:WAVEform:NEW	Creates a new empty waveform in the waveform list of current setup
WLIS:WAVEform:PREDeFined?	True or false based on whether the waveform is predefined
WLIS:WAVEform:TSTamp?	Returns the time stamp of the waveform
WLIS:WAVEform:TYPE?	Returns the type of the waveform

Waveform Data Format

The AWG5000 and AWG7000 Series support two types of waveform data – Integer format and Floating Point format.

Integer format is useful when you want to transfer data faster. It also speeds up restoring data from AWG setup file (.AWG file) thereby making loading faster. Loading data into hardware memory is also faster in the integer format because the integer format is the same as the hardware data format and no conversion is necessary.

Floating point format is helpful while editing the waveform because it gives more resolution for editing operations.

The integer data format is shown in the following figure. It occupies two bytes per waveform data point. In the figure, “D” refers a data bit and “M” refers to a marker bit. Note that in the 10-bit DAC resolution, marker bits are ignored. However, the bit settings of the marker are not altered and are restored when you switch back to the 8-bit mode.

Table 2-24: Integer data format

byte offset 1										byte offset 0									
7	6	5	4	3	2	1	0	7	6	5	4	3	2	1	0				
8-bit	M2	M1	D7	D6	D5	D4	D3	D2	D1	D0									
DAC																			

Table 2-24: Integer data format (cont.)

byte offset 1		byte offset 0													
10-bit DAC		D9	D8	D7	D6	D5	D4	D3	D2	D1	D0				
14-bit DAC	M2 M1	D13	D12	D11	D10	D9	D8	D7	D6	D5	D4	D3	D2	D1	D0

Floating data format is the same as the IEEE 754 single precision format. It occupies 4 bytes per waveform data point. It stores normalized data without any scaling. When the waveform in real data format is output, the data is rounded off to the nearest integer value and clipped to fit the DAC range.

DAC resolution affects the way hardware interprets the bits in the waveform. Therefore it is necessary to reload waveforms once the DAC resolution is modified. To understand how to change the DAC resolution, see the [\[SOURCE\[n\]\]:DAC:RESolution](#) command. To understand how to load a waveform into hardware memory see the [\[SOURCE\[n\]\]:WAVEform](#) command.

Byte Order During Transfer

Waveform data is always transferred in LSB first format.

Transferring Waveforms in Chunks

When transferring large waveforms, it is convenient to send waveform data in chunks. This allows better memory management and enables you to stop the transfer before it is completed. It also helps the external controller to report the progress of the operation to the user.

The [WLISt:WAVEform:DATA](#) command accepts parameters that makes it possible for control programs to send data in any chunk size. The Size parameter of this command sets the chunk size. The StartIndex parameter sets the first data point of each chunk. Note that using StartIndex and Size, it is also possible to transfer only a part of the waveform. Though it is possible to transfer any arbitrary-sized waveform data to an AWG5000 or AWG7000 Series instrument (up to an allowed upper limit), there are certain conditions to load the waveform to hardware waveform memory or sequence memory. See the [\[SOURCE\[n\]\]:WAVEform](#) and [SEQUence:ELEMent\[n\]:WAVEform](#) commands to understand the waveform sizes that are allowed in each case.

Command Descriptions

ABORt (No Query Form)

This command stops waveform generation when the arbitrary waveform generator is in gated mode. This is equivalent to releasing the Trig button on the front panel when the instrument is in gated mode.

Group Trigger

Syntax ABORt

Related Commands [TRIGger\[:SEQUence\]\[:IMMEDIATE\], *TRG](#)

Examples ABORT resets the trigger system.

AWGControl:CLOCK:DRATe

This command sets or returns the divider rate for the external oscillator. Divider rate is applicable only when the reference oscillator source is external. Only 1, 2, 4, 8... are valid values.

Group Control

Syntax AWGControl:CLOCK:DRATe <divider_rate>
AWGControl:CLOCK:DRATe?

Related Commands [AWGControl:CLOCK:SOURce](#)

Arguments <divider_rate>::=<NR1>
At *RST, this returns the minimum value.

Returns <NR1>

Examples AWGCONTROL:CLOCK:DRATE 8 sets the divider rate to 8.
AWGCONTROL:CLOCK:DRATE? returns 8.

AWGControl:CLOCK:PHASe[:ADJust] (AWG7000B Series only)

This command sets or returns the clock phase adjust. It is used to adjust the internal clock phase of the instrument in order to synchronize or align timing with external devices.

When sampling rate is below 375 MS/s, the instrument may take a few minutes to execute the command or to set the sampling rate. Spurious in the output signal may increase if you set the clock phase to any value other than 0 (zero) with the interleave in On state.

Group Control

Syntax AWGControl:CLOCK:PHASe[:ADJust] <NR3>
AWGControl:CLOCK:PHASe[:ADJust]?

Arguments <NR3>

The setting range of NR3 is $\pm 72,000$ degrees (± 200 clocks), and the resolution is 0.1 degree.

At *RST, this returns 0 degree.

Returns <NR3>

Examples AWGCONTROL:CLOCK:PHASE:ADJUST 120 sets the clock phase adjustment value to 120 degrees.

AWGCONTROL:CLOCK:PHASE:ADJUST? returns 1.20000000E+002, indicating that the clock phase adjustment value is 120 degrees.

AWGControl:CLOCK:SOURce

This command sets or returns the clock source. When the clock source is internal, the arbitrary waveform generator's internal clock is used to generate the clock signal. If the clock source is external, the clock signal from an external oscillator is used.

Group Control

Syntax AWGControl:CLOCK:SOURce <source>
AWGControl:CLOCK:SOURce?

Related Commands [AWGControl:CLOCK:DRATE](#)

Arguments `<source>::={EXTernal | INTernal}`
 EXTernal specifies that the clock signal from external oscillator is used.
 INTernal specifies that the clock signal is generated internally.
 At *RST, this value is set to INTernal.

Returns EXT | INT

Examples AWGCONTROL:CLOCK:SOURCE EXTERNAL sets the clock source to EXTernal.
 AWGCONTROL:CLOCK:SOURCE? returns EXT.

AWGControl:CONFigure:CNUMber? (Query Only)

This query returns the number of channels available on the instrument. It returns the count of channels even when they are disabled. However, interleaved channels are not included in the count.

Group Control

Syntax AWGControl:CONFigure:CNUMber?

Related Commands None

Returns <NR1>
 Returns 1, 2, or 4 depending on the model.

Examples AWGCONTROL:CONFIGURE:CNUMBER? might return 2.

AWGControl:DC[n][:STATE]

This commands sets or returns the output state of the DC outputs. Use this command to turn off or turn on the DC outputs.

The value of n = 1 | 2 | 3 | 4

The output state is common for all DC outputs. Therefore, irrespective of the value used for 'n' in the command, all DC outputs are switched on or switched off at once.

Group Control

Syntax `AWGControl:DC[n][:STATE] <state>`
`AWGControl:DC[n][:STATE]?`

Related Commands [AWGControl:DC\[n\]:VOLTage\[:LEVel\]\[:IMMediate\]:OFFSet](#)

Arguments `<state>::= <Boolean>`
 0 indicates False
 1 indicates True.
 At *RST, this returns 0.

Returns `<state>`

Examples `AWGCONTROL:DC1:STATE 1` sets the DC1 output to On.

AWGControl:DC[n]:VOLTage[:LEVel][:IMMediate]:OFFSet

This command sets or returns the DC output level.

The value of n = 1 | 2 | 3 | 4.

Group Control

Syntax `AWGControl:DC[n]:VOLTage[:LEVel][:IMMediate]:OFFSet <offset>`
`AWGControl:DC[n]:VOLTage[:LEVel][:IMMediate]:OFFSet?`

Related Commands [AWGControl:DC\[n\]\[:STATE\]](#)

Arguments `<offset>::=<NR3>` the value will be between -3.0 V to +5.0 V.
 At *RST, this returns 0 V.

Returns <NR3>

Examples `AWGCONTROL:DC1:VOLTAGE:OFFSET 1.0V` sets the DC1 level to 1.0 V.
`AWGCONTROL:DC1:VOLTAGE:OFFSET?` will return 1.0 V.

AWGControl:DOUtpuT[n][:STATe]

This command enables the raw DAC waveform outputs for the specified channel.

The query form of this command returns the status of raw DAC waveform output for the specified channel. When the state is ON, offset and filter settings for the channel are ignored.

This command is not supported on the instruments with Option 02 or Option 06.

Group Control

Syntax `AWGControl:DOUtpuT[n][:STATe] <state>`
`AWGControl:DOUtpuT[n][:STATe]?`

Related Commands [\[SOURce\[n\]:VOLTage\[:LEVel\]\[:IMMediate\]:OFFSet](#), [OUTPut\[n\]:FILTer\[:LPASs\]:FREQuency](#)

Arguments `<state> ::= <Boolean>`
 0 indicates False
 1 indicates True
 At *RST, this returns 0.

Returns <state>

Examples `AWGCONTROL:DOUtpuT1:STATe 1` causes the instrument to output raw DAC waveform from Channel 1.

AWGControl:EVENT:SOFTware[:IMMediate] (No Query Form)

This command executes the sequencer jump to the specified element index.

Group Control

Syntax `AWGControl:EVENT:SOFTWARE[:IMMEDIATE] <target>`

Related Commands [SEQUENCE:JUMP\[:IMMEDIATE\]](#)

Arguments `<target>::=<Numeric>`

Examples `AWGCONTROL:EVENT:SOFTWARE:IMMEDIATE 10` forces the sequencer to jump to index number 10.

AWGControl:INTERleave:ADJUSTment:AMPLitude

This command sets or returns the interleave adjustment amplitude.

This command is available for Option 06. This setting value is used while the interleave state is On.

Group Control

Syntax `AWGControl:INTERleave:ADJUSTment:AMPLitude <NR3>`
`AWGControl:INTERleave:ADJUSTment:AMPLitude?`

Arguments `<NR3>`
 At *RST, this returns 0 Vpp.

Returns `<NR3>`

Examples `AWGCONTROL:INTERLEAVE:ADJUSTMENT:AMPLITUDE 1` sets the interleave adjustment amplitude to 1 volts.
`AWGCONTROL:INTERLEAVE:ADJUSTMENT:AMPLITUDE?` returns 0.0000000E+000, indicating that the interleave adjustment amplitude is 0 volts.

AWGControl:INTERleave:ADJUSTment:PHASe

This command sets or returns the interleave adjustment phase.

This command is available for Option 06. This setting value is used while the interleave state is On.

Group	Control
Syntax	AWGControl:INTERleave:ADJUSTment:PHASE <NR3> AWGControl:INTERleave:ADJUSTment:PHASE?
Arguments	<NR3> At *RST, this returns 0 degree.
Returns	<NR3>
Examples	AWGCONTROL:INTERLEAVE:ADJUSTMENT:PHASE 120 sets the interleave adjustment phase to 120 degrees. AWGCONTROL:INTERLEAVE:ADJUSTMENT:PHASE? returns 1.20000000E+002, indicating that the interleave adjustment phase is 120 degrees.

AWGControl:INTERleave[:STATE]

This command enables or disables the interleave state for channels. This is available only on the AWG7000 series with option 06 instruments. The query form of this command returns the interleave state of the instrument.

When Interleave is ON, the output of CH1 and CH2 are mixed at the output circuit to achieve twice the sampling rate. When interleave state is switched on, then:

- Sampling rate is set to the nearest valid value
- Waveform remains as before
- Sequence pointing to CH2 waveform becomes “Empty”
- Channel count becomes 1
- Coupled channels lose the coupled state

NOTE. Switching the interleave state from ON to OFF will not restore the sequence CH2 waveforms. Also once the coupled state is lost, it is not restored.

Marker data cannot be interleaved.

Only even marker data is output when the interleave state is ON.

Group Control

Syntax AWGControl:INTERleave[:STATE] <state>
 AWGControl:INTERleave[:STATE]?

Related Commands [AWGControl:INTERleave:ZERoing](#)

Arguments <state>::=<Boolean>
 0 indicates False
 1 indicates True
 At *RST, this returns 0.

Returns <state>

Examples AWGCONTROL:INTERLEAVE:STATE 1 sets the instrument to interleave mode.

AWGControl:INTERleave:ZERoing

This command turns the zeroing on and off for the interleave mode.

NOTE. This command is available only on the AWG7000 series with option 06 instruments.

Setting Zeroing to ON will change the amplitude setting range when interleaving is done. When Zeroing is OFF, amplitude is not affected by the interleave state.

Setting the zeroing state to ON is a trade-off between bandwidth and signal quality.

Group Control

Syntax AWGControl:INTERleave:ZERoing <state>
 AWGControl:INTERleave:ZERoing?

Related Commands [AWGControl:INTERleave\[:STATE\]](#)

Arguments <state>::=<Boolean>
 0 indicates False
 1 indicates True
 At *RST, this returns 0.

Returns <state>

Examples AWGCONTROL:INTERLEAVE:ZEROING turns on the zeroing function.

AWGControl:RMODE

This command sets or returns the run mode of the arbitrary waveform generator.

Group Control

Syntax AWGControl:RMODE {CONTinuous | TRIGgered | GATed | SEQuence
| ENHanced}
AWGControl:RMODE?

Related Commands [AWGControl:RUN\[:IMMEDIATE\]](#), [AWGControl:STOP\[:IMMEDIATE\]](#), *TRG,
[\[SOURCE\[n\]\]:FUNCTION:USER](#)

Arguments CONTinuous sets Run Mode to Continuous.
TRIGgered sets Run Mode to Triggered.
GATed sets Run Mode to Gated.
SEQuence sets Run Mode to Sequence.
ENHanced is provided only for the compatibility with AWG400/500/600/700 series. In the response, SEQ is returned even if ENH is specified in the command.
At *RST, this value is CONTinuous.

Returns CONT | TRIG | GAT | SEQ

Examples AWGCONTROL:RMODE TRIGgered sets the instrument Run mode to Triggered.
AWGCONTROL:RMODE? returns CONT if the instrument is in continuous mode.
The following table lists the run modes and their descriptions:

Table 2-25: Mode options and their descriptions

Argument	Subhead
CONTinuous	Selects the continuous mode, which continuously outputs the waveform. The external trigger, including the FORCE TRIGGER button and the corresponding remote commands, has no effect.
TRIGgered	Sets the triggered mode, which outputs one waveform cycle for each trigger.
GATed	Selects the gated mode, which continuously outputs the waveform or sequence as long as the trigger remains enabled. The trigger remains effective as long as any of the following events occur: <ul style="list-style-type: none"> ■ The FORCE TRIGGER button remains pressed ■ A valid external gate signal remains input ■ The TRIGger[:SEquence][:IMMediate] or *TRIG command has been executed but an ABORt command has not yet been issued.
SEQuence	Selects the sequence mode, which outputs the waveform according to the sequence file specified with the SOURCE:FUNCTion:USER command. If the sequence file is not loaded, this mode is the same as the triggered mode.

AWGControl:RRATe

This command sets or returns the repetition rate of the arbitrary waveform generator.

Group Control

Syntax AWGControl:RRATe <repetition rate>
AWGControl:RRATe?

Related Commands [SOURCE[1]]:FREQuency[:CW]:FIXed

Arguments <repetition rate>::=<NR3>

Returns <NR3>

Examples `AWGCONTROL:RRATE 1000000` sets the repetition rate to 1MHz.
 `AWGCONTROL:RRATE?` returns 1E+6.

AWGControl:RRATE:HOLD

This command sets or returns the hold property of repetition rate. Setting this to True keeps the repetition rate of the instrument constant even when the waveform size changes. This causes the sampling rate to change. When this is False, the repetition rate changes when the waveform length changes.

Group Control

Syntax `AWGControl:RRATE:HOLD <hold_state>`
 `AWGControl:RRATE:HOLD?`

Related Commands [AWGControl:RRATE](#)

Arguments `<hold_state>::=<Boolean>`
 0 indicates False
 1 indicates True
 At *RST, this returns 0.

Returns <NR1>

Examples `AWGCONTROL:RRATE:HOLD 1` sets the instrument repetition rate to Hold.

AWGControl:RState? (Query Only)

This query returns the run state of the arbitrary waveform generator or the sequencer.

Group Control

Syntax `AWGControl:RState?`

Related Commands [AWGControl:RMODE](#), [AWGControl:RUN\[:IMMEDIATE\]](#)

Returns <NR1>
 0 indicates that the instrument has stopped
 1 indicates that the instrument is waiting for trigger
 2 indicates that the instrument is running

Examples `AWGCONTROL:RSTATE?` might return 0 if the instrument waveform generation is stopped.

AWGControl:RUN[:IMMEDIATE] (No Query Form)

This command initiates the output of a waveform or a sequence. This is equivalent to pressing Run/Stop button on the front panel. The instrument can be put in the run state only when output waveforms are assigned to channels.

Group Control

Syntax `AWGControl:RUN[:IMMEDIATE]`

Related Commands [AWGControl:STOP\[:IMMEDIATE\]](#), [\[SOURCE\[n\]\]:WAVEFORM](#)

Examples `AWGCONTROL:RUN` puts the instrument in the run state.

AWGControl:SEQuencer:POSition? (Query Only)

This query returns the current position of the sequencer.

Group Control

Syntax `AWGControl:SEQuencer:POSition?`

Related Commands [AWGControl:SEQuencer:TYPE?](#)

Returns <NR1>
 At *RST, this value is 1.

Examples `AWGCONTROL:SEQUENCER:POSITION?` might return 100.

AWGControl:SEQuencer:TYPE? (Query Only)

This query returns the type of the arbitrary waveform generator's sequencer. The sequence is executed by the hardware sequencer whenever possible.

Group Control

Syntax `AWGControl:SEQuencer:TYPE?`

Related Commands None

Returns HARDware indicates that the instrument is in the hardware sequencer mode.
SOFTware indicates that the instrument is in the software sequencer mode.
At *RST, this value is HARDware.

Examples `AWGCONTROL:SEQUENCER:TYPE?` might return HARD if the instrument is in the hardware sequencer mode.

AWGControl:SNAME? (Query Only)

This query returns the current setup file name of the arbitrary waveform generator. The response contains the full path for the file including the disk drive.

Group Control

Syntax `AWGControl:SNAME?`

Related Commands [AWGControl:SSAVe](#), [AWGControl:SREStore](#)

Returns <file_name>,<msus>
<file_name>::=<string>
<msus> (mass storage unit specifier)::=<string>
At *RST, this values is "", "C:"

Examples AWGCONTROL:SNAME? might return the following response:
 “\my\project\awg\setup\a1.awg”, “D:”

AWGControl:SREStore (No Query Form)

This command restores the arbitrary waveform generator’s setting from a specified settings file. The drive may be a local or a network drive. If the full path is not specified, the file will be stored in the current path.

Group Control

Syntax AWGControl:SREStore <file name> [,<msus>]

Related Commands [AWGControl:SNAME?](#), [AWGControl:SSAVe](#)

Arguments <file name>::=<string>
 <msus> (mass storage unit specifier)::=<string>

Examples AWGCONTROL:SRESTORE “Setup1.Awg”

AWGControl:SSAVe (No Query Form)

This command saves the arbitrary waveform generator’s setting to a specified settings file. The drive may be a local or a network drive. If full path is not specified, the file will be stored in the current path.

Group Control

Syntax AWGControl:SSAVe <file name> [,<msus>]

Related Commands [AWGControl:SREStore](#), [AWGControl:SNAME?](#)

Arguments <file name>::=<string>
 <msus> (mass storage unit specifier)::=<string>

Examples AWGCONTROL:SSAVE "\my\project\awg\setup\x.awg", "D:" will save the current setup to "D:\my\project\awg\setup\x.awg".

AWGControl:STOP[:IMMEDIATE] (No Query Form)

This command stops the output of a waveform or a sequence.

Group Control

Syntax AWGControl:STOP[:IMMEDIATE]

Related Commands [AWGControl:RUN\[:IMMEDIATE\]](#)

Examples AWGCONTROL:STOP:IMMEDIATE stops the output of a waveform.

*CAL? (Query Only)

This query does an internal calibration of the arbitrary waveform generator and returns a status that indicates whether the calibration was completed successfully.

Group Calibration

Syntax *CAL?

Related Commands [CALibration\[:ALL\]](#)

Returns <NR1>
0 indicates no error.

Examples *CAL? performs an internal calibration and returns results. For example, it might return 0, which indicates that the calibration completed without any errors.

CALibration[:ALL]

This command does a full calibration of the arbitrary waveform generator. In its query form, the command does a full calibration and returns a status indicating

the success or failure of the operation. `CALibration[:ALL]?` is equivalent to `*CAL?`

Group Calibration

Syntax `CALibration[:ALL]`
`CALibration[:ALL]?`

Related Commands `*CAL?`

Returns `<calibration error code> ::= <NR1>`

0 indicates no error

-340: error

Examples `CALIBRATION:ALL` performs an internal calibration.

`CALIBRATION:ALL?` performs an internal calibration and returns results. For example, it might return 0, which indicates that the calibration completed without any errors.

***CLS (No Query Form)**

This command clears all event registers and queues.

Group Status

Syntax `*CLS`

Related Commands None

Examples `*CLS` clears all the event registers and queues.

DIAGnostic:DATA? (Query Only)

This command returns the results of a self test.

Group Diagnostic

Syntax `DIAGnostic:DATA?`

Related Commands [DIAGnostic\[:IMMediate\]](#), [DIAGnostic:SElect](#)

Returns `<NR1>`
0 indicates no error.
–330 indicates that the self test failed.

Examples `DIAGNOSTIC:DATA?` might return 0, which indicates that the diagnostics completed without any errors.

DIAGnostic[:IMMediate]

The `DIAGnostic[:IMMediate]` command executes the selected self-test routines. The `DIAGnostic[:IMMediate]?` command executes the selected self-test routines and returns the results.

Group Diagnostic

Syntax `DIAGnostic[:IMMediate]`
`DIAGnostic[:IMMediate]?`

Related Commands [DIAGnostic:DATA?](#), [DIAGnostic:SElect](#)

Returns `<NR1>`
0 indicates no error.
–330 indicates that the self test failed.

Examples `DIAGNOSTIC:IMMEDIATE` executes the self test routines.
`DIAGNOSTIC:IMMEDIATE?` executes the self test routines. After the self test routines finish, the results of the self tests are returned.

DIAGnostic:SElect

This command selects the self-test routines. The query form of this command returns the selected test routine.

The following selections are available:

- ALL
- FPANel - Front panel read/write access test
- DTIMing – Data timing measurement (for AWG5000 series only)
- AREGister – AWG register read back
- A1Memory – CH1 waveform memory test
- A2Memory – CH2 waveform memory test
- A3Memory – CH3 waveform memory test (for AWG5000 series only)
- A4Memory – CH4 Waveform memory test (for AWG5000 series only)
- CREGister – Clock register read back
- CPLock – PLL Lock/unlock
- O1Register – Output1 register read back
- O1ALevel – Output1 analog level
- O1MLevel – Output1 Marker level (for AWG7000 series only)
- O2Register – Output2 register read back
- O2ALevel – Output2 analog level
- O2MLevel – Output2 marker level (for AWG7000 series only)

Group Diagnostic

Syntax `DIAGnostic:SElect { ALL | FPANel | AREGister | DTIMing | A1Memory | A2Memory | A3Memory | A4Memory | CREGister | CPLock | O1Register | O1ALevel | O1MLevel | O2Register | O2ALevel | O2MLevel }
DIAGnostic:SElect?`

Related Commands [DIAGnostic\[:IMMediate\]](#)

Returns ALL | FPAN | AREG | DTIM | A1M | A2M | A3M | A4M | CREG | CPL | O1R | O1AL | O1ML | O2R | O2AL | O2ML

Examples `DIAGNOSTIC:SELECT FPANEL` selects the front panel read/write access test.

DISPlay[:WINDow[1|2]][:STATE]

This command minimizes or restores the sequence or waveform window of the arbitrary waveform generator. This command only minimizes or restores the display area; it does not close the window. There is no maximizing.

WINDow1 – Sequence window

WINDow2 – Waveform window

Group Display

Syntax `DISPlay[:WINDow[1|2]][:STATE] <display_state>`
`DISPlay[:WINDow[1|2]][:STATE]?`

Related Commands None

Arguments `<display_state>::=<Boolean>`
 0 indicates False, minimizes the window display.
 1 indicates True, restores the window display.
 At *RST, this value is 1.

Returns `<NR1>`

Examples `DISPLAY:WINDOW1:STATE 0` minimizes the sequence window.

*ESE

This command sets or queries the status of Event Status Enable Register.

Group Status

Syntax `*ESE <NR1>`
`*ESE?`

Related Commands `*CLS`, `*ESR?`, `*SRE`, `*STB?`

Arguments <NR1>

Returns <NR1>

Examples *ESE 177 sets the ESER to 177 (binary 10110001), which sets the PON, CME, EXE and OPC bits.

*ESR? (Query Only)

This query returns the status of Standard Event Status Register.

Group Status

Syntax *ESR?

Related Commands [*CLS](#), [*ESE](#), [*SRE](#), [*STB?](#)

Returns <NR1>

Examples *ESR? might return 181, which indicates that the SESR contains the binary number 10110101.

EVENT[:IMMEDIATE] (No Query Form)

This command generates a forced event. This is used to generate the event when the sequence is waiting for an event jump (See [SEQUENCE:ELEMENT\[n\]:JTARGET:TYPE](#)).

This is equivalent to pressing the Force Event button on the front panel of the instrument.

Group Event

Syntax EVENT[:IMMEDIATE]

Related Commands [EVENT:IMPedance](#), [EVENT:JTIMing](#), [EVENT:LEVel](#), [EVENT:POLarity](#)

Examples `EVENT:IMMEDIATE` generates the event signal.

EVENT:IMPedance

This command sets or returns the impedance of the external event input. Valid values are 50 ohm or 1 kohm.

Group Event

Syntax `EVENT:IMPedance <ohms>`
`EVENT:IMPedance?`

Related Commands [EVENT\[:IMMEDIATE\]](#), [EVENT:JTIMing](#), [EVENT:LEVel](#), [EVENT:POLarity](#)

Arguments `<ohms>::=<NR3>`
 Valid values are 50 ohm or 1 kohm.
 At *RST, this value is 1e3 ohm.

Returns `<NR3>`

Examples `EVENT:IMPEDANCE 50` sets the impedance to 50 ohms.

EVENT:JTIMing

This command sets or returns the jump timing. Refer to the User Online Help for more information on jump timing.

Group Event

Syntax `EVENT:JTIMing <jump_type>`
`EVENT:JTIMing?`

Related Commands [EVENT\[:IMMEDIATE\]](#), [EVENT:IMPedance](#), [EVENT:LEVel](#), [EVENT:POLarity](#)

Arguments `<jump_type>::={SYNChronous | ASYNchronous}`
`SYNChronous` indicates jump occurs immediately.

ASYNchronous indicates jump occurs after the signal generation is finished.

At *RST, this returns ASYNchronous.

Returns SYNC | ASYN

Examples EVENT:JTIMING ASYNchronous sets the jump to asynchronous type.

EVENT:LEVEL

This command sets or returns the event level.

Group Event

Syntax EVENT:LEVEL <level>
EVENT:LEVEL?

Related Commands [EVENT\[:IMMEDIATE\]](#), [EVENT:IMPedance](#), [EVENT:JTIMing](#), [EVENT:POLarity](#)

Arguments <level>::=<NR3>
Range is between 5 V and -5 V.
At *RST, this returns 1.4 V

Returns <NR3>

Examples EVENT:LEVEL 1.0V sets the level to 1 volt.

EVENT:POLarity

This command sets or returns the polarity of event signal. The Event Jump is the function to change the sequencing of the waveform by an event signal.

Group Event

Syntax EVENT:POLarity {POSitive | NEGative}
EVENT:POLarity?

Related Commands [EVENT\[:IMMEDIATE\]](#), [EVENT:IMPedance](#), [EVENT:JTIMing](#), [EVENT:LEVel](#)

Arguments POSitive indicates that event jump occurs when the instrument receives a positive pulse.
 NEGative indicates that event jump occurs when the instrument receives a negative pulse.
 At *RST, this returns POSitive.

Returns POS | NEG

Examples `EVENT:POLARITY NEGative` sets the event polarity to negative.

*IDN? (Query Only)

This command returns identification information for the arbitrary waveform generator.

Group System

Syntax *IDN?

Related Commands None

Returns <Manufacturer>, <model>, <serial number>, <Firmware version>
 <Manufacturer>:: = TEKTRONIX
 <Model>:: = AWG7121B, AWG7122B, AWG7061B, AWG7062B, AWG5012B, AWG5014B, AWG5002B, AWG5004B
 <Serial number>:: = XXXXXXXX (indicates an actual serial number)
 <Firmware version>:: = SCPI: 99.0 FW:x.x.x (x.x.x is system software version)

Examples *IDN? might return the following response:
 TEKTRONIX,AWG7122B,B010123,SCPI:99.0 FW:3.0

INSTrument:COUPle:SOURce

This command sets or returns the coupled state for a channel.

NOTE. *When coupling is done, CH1 can be coupled to CH2, CH3 and CH4. CH3 can be coupled to CH4. Other combinations are not allowed.*

When ALL is used, all other channels get the parameters of CH1.

When coupling is done, CH1 parameters are copied to CH2 parameters and CH3 parameters to CH4 parameters. This cannot be changed.

On two channel models, ALL is equivalent to PAIR.

On one channel models, only NONE is available.

In four channel models when PAIR is used, CH1 is coupled to CH2 and CH3 is coupled to CH4 in one action. Not all parameters are coupled.

When the coupling is active, setting the coupling state to NONE will remove the coupling.

Group	Instrument
Syntax	INSTrument:COUPle:SOURce <state> INSTrument:COUPle:SOURce?
Related Commands	None
Arguments	<state> ::= {NONE PAIR ALL} NONE PAIR – CH1 to CH2 and CH3 to CH4 ALL – CH1 to CH2, CH3, and CH4
Returns	<state>
Examples	INSTrument:COUPle:SOURce ALL couples the CH1 parameters and CH2 parameters if the instrument is a two-channel model.

MMEMory:CATalog? (Query Only)

This query returns the current contents and state of the mass storage media.

Group	Mass memory
Syntax	MMEMory:CATalog? [<msus>]
Related Commands	MMEMory:CDIRectory , MMEMory:MSIS
Arguments	<msus> (mass storage unit specifier)::= <string>
Returns	<p><NR1>,<NR1>[<file_entry>]</p> <p>The first <NR1> indicates the total amount of storage currently used in bytes. The second <NR1> indicates the free space of mass storage in bytes.</p> <p><file_entry>::= "<file_name>,<file_type>,<file_size>"</p> <p><file_name>:: = is the exact name of the file.</p> <p><file_type>::= is DIR for directory, otherwise it is blank.</p> <p><file_size>::=<NR1> is the size of the file in bytes.</p>
Examples	<p>MMEMORY:CATALOG? might return the following response:</p> <pre>484672,3878652,"SAMPLE1.AWG,,2948" "aaa.txt,,1024","ddd,DIR,0","zzz.awg,,2948"</pre>

MMEMory:CDIRectory

This command sets or returns the current directory of the file system on the arbitrary waveform generator. The current directory for the programmatic interface is different from the currently selected directory in the Windows Explorer on the instrument.

Group	Mass memory
Syntax	MMEMory:CDIRectory [<directory_name>] MMEMory:CDIRectory?
Related Commands	None
Arguments	<directory_name> ::= <string>

Returns <directory_name>

Examples MMEMORY:CDIRECTORY "/AWG/WORK0" changes the current directory to /AWG/WORK0.

MMEMory:DATA

This command sets or returns block data to/from the file in the current mass storage device.

NOTE. *The file is always transferred to the path mentioned along with the file name on the target.*

If no path is specified with the file name, the current directory is used.

When path contains only the file name, current path is assumed.

Group Mass memory

Syntax MMEMory:DATA <file_name>,<block_data>
MMEMory:DATA? <file_name>

Related Commands [MMEMory:CDIRECTory](#), [MMEMory:MSIS](#)

Arguments <file_name>,<block_data>

Returns Block_data – IEEE 488.2 data block
file_name – string having filename and path.

Examples MMEMORY:DATA "FILE1",#41024XXXXX... loads data into the file FILE1.

MMEMory:DELeTe (No Query Form)

This command deletes a file or directory from the instrument's hard disk. When used on a directory, this command succeeds only if the directory is empty.

Group Mass memory

Syntax MMEMory:DELeTe <file_name>[,<msus>]

Related Commands [MMEMory:CDIRectory](#), [MMEMory:MSIS](#)

Arguments <file_name>::=<string>
<msus> (mass storage unit specifier)::=<string>

Examples MMEM:DEL "SETUP1.AWG" deletes SETUP1.AWG in the current directory.
MMEM:DEL "\my\proj\awg\test.awg", "D:" deletes D:\my\proj\awg\test.awg, regardless of the current directory and the current msus.

MMEMory:IMPort (No Query Form)

This command imports a file into the arbitrary waveform generator's setup as a waveform.

NOTE. *If the waveform name already exists, it will be overwritten without warning.*

The file name can contain a path and drive letter.

The supported file formats are:

ISF – TDS3000 and DPO4000 waveform format

TDS – TDS5000/TDS6000/TDS7000, DPO7000/DPO70000/DSA70000 Series waveform

TXT – Text file with analog data

TXT8 – Text file with 8-bit DAC resolution

TXT10 – Text file with 10-bit DAC resolution

TXT14 – Text file with 14-bit DAC resolution

WFM – AWG400/AWG500/AWG600/AWG700 Series waveform

PAT – AWG400/AWG500/AWG600/AWG700 Series pattern file

TFW – AFG3000 Series waveform file format

Group	Mass memory
Syntax	<code>MMEMory:IMPort <wfm_name>,<filename>,<type></code>
Related Commands	MMEMory:IMPort:PARAmeter:FREQuency[:UPDate][:STATe] , MMEMory:IMPort:PARAmeter:LEVel[:UPDate]:CHANnel , MMEMory:IMPort:PARAmeter:LEVel[:UPDate][:STATe] , MMEMory:IMPort:PARAmeter:NORMAlize
Arguments	<p><code><wfm_name>,<filename>,<type></code></p> <p><code><wfm_name>::=<string></code></p> <p><code><filename>::=<string></code></p> <p><code><type> = {ISF TDS TXT TXT8 TXT10 TXT14 WFM PAT TFW}</code></p>
Examples	<code>MMEMORY:IMPORT "sine1024","sine1024.txt",txt</code> imports a waveform file named "sine1024", whose file format is text with normalized analog value.

MMEMory:IMPort:PARAmeter:FREQuency[:UPDate][:STATe]

This command sets or queries the FREQuency parameter which determines whether frequency is modified during waveform import. If this value is set, the sampling rate is automatically updated during waveform import.

Group	Mass memory
Syntax	<code>MMEMory:IMPort:PARAmeter:FREQuency[:UPDate][:STATe] <state></code> <code>MMEMory:IMPort:PARAmeter:FREQuency[:UPDate][:STATe]?</code>
Related Commands	MMEMory:IMPort
Arguments	<p><code><state>::=<Boolean></code></p> <p>0 indicates False</p> <p>1 indicates True</p> <p>At *RST, this returns 1.</p>
Returns	<code><state></code>

Examples `MMEMORY:IMPORT:PARAMETER:FREQUENCY:UPDATE:STATE 1` the instrument will automatically modify the sampling rate when importing the waveform data.

MMEMory:IMPorT:PARAmeter:LEVel[:UPDate]:CHANnel

This command sets or queries the channel for which the amplitude and offset values will be updated during import.

NOTE. Channel number starts from 1 for CH1, 2 for CH2

Valid input depends on model number and interleave state

This command is effective only when `MMEMory:IMPorT:PARAmeter:LEVel[:UPDate][:STATe]` is set to 1

Group Mass memory

Syntax `MMEMory:IMPorT:PARAmeter:LEVel[:UPDate]:CHANnel <NR1>`
`MMEMory:IMPorT:PARAmeter:LEVel[:UPDate]:CHANnel?`

Related Commands [MMEMory:IMPorT](#), [MMEMory:IMPorT:PARAmeter:LEVel\[:UPDate\]\[:STATe\]](#)

Arguments <NR1>
 At *RST, the value is 1.

Returns 1 | 2 | 3 | 4

Examples `MMEMORY:IMPORT:PARAMETER:LEVEL:UPDATE:CHANNEL 1` sets the channel 1 amplitude and offset values to be updated when importing waveform data.

MMEMory:IMPorT:PARAmeter:LEVel[:UPDate][:STATe]

This command sets or queries the LEVel parameter which determines whether amplitude and offsets are modified during waveform import. If this value is set, the instrument amplitude and offset are automatically updated during waveform import.

Group Mass memory

Syntax `MMEMory:IMPort:PARAmeter:LEVEl[:UPDate][:STATe] <state>`
`MMEMory:IMPort:PARAmeter:LEVEl[:UPDate][:STATe]?`

Related Commands [MMEMory:IMPort](#)

Arguments `<state>::=<Boolean>`
 0 indicates False
 1 indicates True
 At *RST, this returns 1.

Returns `<Boolean>`

Examples `MMEMORY:IMPORT:PARAMETER:LEVEL:UPDATE:STATE 1` the instrument will automatically modify the amplitude and offset when importing the waveform data.

MMEMory:IMPort:PARAmeter:NORMAlize

This command sets or queries if the imported data is normalized during text data import operation.

- The imported waveform data is normalized based on the option set in this command.
- When ZREFerence is selected, the offset is preserved during normalization operation.
- If FSCale is selected, offset is lost and full scale of the DAC is used for normalization.
- NONE will not normalize the data.

Group Mass memory

Syntax `MMEMory:IMPort:PARAmeter:NORMAlize {NONE | FSCale | ZREFerence}`
`MMEMory:IMPort:PARAmeter:NORMAlize?`

Related Commands [MMEMory:IMPort](#)

Arguments	<p><Normalization_type></p> <p>NONE indicates that the imported data is not normalized.</p> <p>FSCa1e indicates that the imported data is normalized with full DAC range.</p> <p>ZREFerence indicates that the imported data is normalized with offset preserved.</p> <p>At *RST, this returns NONE.</p>
Returns	NONE FSC ZREF
Examples	MMEMORY:IMPORT:PARAMETER:NORMALIZE NONE will not normalize the imported data.

MMEMory:MDIRectory (No Query Form)

This command creates a new directory in the current path on the mass storage system.

Group	Mass memory
Syntax	MMEMory:MDIRectory <directory_name>
Related Commands	MMEMory:CDIRectory , MMEMory:MSIS
Arguments	<directory_name>::=<string> specifies a new directory.
Examples	MMEMORY:MDIRECTORY "WAVEFORM" makes the directory "WAVEFORM".

MMEMory:MSIS

This command selects a mass storage device used by all MMEMory commands. <msus> specifies a drive using a drive letter. The drive letter can represent hard disk drives, network drives, DVD/CD-RW drives, or USB memory.

Group	Mass memory
Syntax	MMEMory:MSIS [<msus>] MMEMory:MSIS?

Related Commands	None
Arguments	<msus> (mass storage unit specifier)::=<string>
Returns	<msus> (mass storage unit specifier)::=<string> At *RST, this values is “C:”
Examples	MMEMORY:MSIS? might return the following response: “X:”

*OPC

This command is used to ensure that the first command is complete before the second command is issued. Always returns one on this instrument.

Group	Synchronization
Syntax	*OPC *OPC?
Related Commands	*WAI
Returns	<NR1> <NR1>=1 when all pending operations are finished.
Examples	*OPC? might return 1 to indicate that all pending OPC operations are finished.

*OPT? (Query Only)

This command returns the implemented options for the arbitrary waveform generator.

Group	System
Syntax	*OPT?

Related Commands	None
Returns	<opt>[, <opt> [, <opt>]]] <opt>::= { 0 01 02 03 06 08 }
Examples	*OPT? might return 0 to indicate that no option is installed in the instrument.

OUTPut[n]:FILTer[:LPASS]:FREQUency

This command sets or returns the low-pass filter frequency of the filter. INFINITY is same as Through (no filter). This command is not available on instruments with option 02 or option 06.

Group	Output
Syntax	OUTPut[n]:FILTer[:LPASS]:FREQUency {<NR3> INFINITY } OUTPut[n]:FILTer[:LPASS]:FREQUency?
Related Commands	AWGControl:DOUOutput[n][:STATE]
Arguments	<NR3> At *RST, this value returns 9.9e37 (INFINITY).
Returns	<NR3>
Examples	OUTPUT1:FILTER:LPASS:FREQUENCY 200MHZ sets the cutoff frequency of the low-pass filter for CH 1 to 200 MHz.

OUTPut[n][:STATE]

This command sets or returns the output state of the arbitrary waveform generator. Setting the output state of a channel to ON will switch on its analog output signal and marker.

Group	Output
--------------	--------

Syntax `OUTPut[n][:STATE] <output_state>`
`OUTPut[n][:STATE]?`

Related Commands None

Arguments `<output_state>::=<Boolean>`
 0 sets the channel output to False (OFF)
 1 sets the channel output to True (ON)
 At *RST, this returns 0.

Returns `<NR1>`

Examples `OUTPUT1:STATE ON` turns the channel 1 output on.

*RST (No Query Form)

This command resets the arbitrary waveform generator to its default state.

Group System

Syntax *RST

Related Commands None

Examples *RST resets the instrument.

SEquence:ELEMent[n]:GOTO:INDEX

This command sets or retrieves the target index for the GOTO command of the sequencer.

After generating the waveform specified in a sequence element, the sequencer jumps to the element specified as GOTO target. This is an unconditional jump. If GOTO target is not specified, the sequencer simply moves on to the next element. If the Loop Count is Infinite, the GOTO target which is specified in the element is not used. For this command to work, the [SEquence:ELEMent\[n\]:GOTO:STATE](#) must be true.

Note that the first element of a sequence is taken to be 1 not 0.

Group	Sequence
Syntax	<pre>SEQUENCE:ELEMENT[n]:GOTO:INDEX <target> SEQUENCE:ELEMENT[n]:GOTO:INDEX?</pre>
Related Commands	SEQUENCE:ELEMENT[n]:GOTO:STATE
Arguments	<target>::=<NR1>
Returns	<target>
Examples	<p>SEQUENCE:ELEMENT1:GOTO:INDEX 6 will cause the sequencer to jump to sixth element after executing the first element.</p> <p>SEQUENCE:ELEMENT1:GOTO:INDEX? will return 6.</p>

SEQUENCE:ELEMENT[n]:GOTO:STATE

This command sets or retrieves the GOTO state of the sequencer. For the [SEQUENCE:ELEMENT\[n\]:GOTO:INDEX](#) command to take effect, the GOTO state must be set to true.

Group	Sequence
Syntax	<pre>SEQUENCE:ELEMENT[n]:GOTO:STATE <goto_state> SEQUENCE:ELEMENT[n]:GOTO:STATE?</pre>
Related Commands	SEQUENCE:ELEMENT[n]:GOTO:INDEX
Arguments	<p><goto_state>::=<Boolean></p> <p>0 indicates False</p> <p>1 indicates True</p> <p>At *RST, this returns 0.</p> <p>The value of <n> is an index number of sequence.</p>

Returns <NR1>

Examples SEQUENCE:ELEMENT1:GOTO:STATE 1 sets the GOTO state to ON.

SEquence:ELEMEnt[n]:JTARget:INDEX

This command sets or retrieves the target index for the sequencer's event jump operation. Note that this will take effect only when [SEquence:ELEMEnt\[n\]:JTARget:TYPE](#) is set to INDEX.

Group Sequence

Syntax SEQUENCE:ELEMENT[n]:JTARGET:INDEX <target>
SEQUENCE:ELEMENT[n]:JTARGET:INDEX?

Related Commands [SEquence:ELEMEnt\[n\]:JTARget:TYPE](#)

Arguments <target>::=<NR1>
<n> is an index number of sequence.

Returns <NR1>

Examples SEQUENCE:ELEMENT1:JTARGET:INDEX 10 sets the jump target index to 10th element.

SEquence:ELEMEnt[n]:JTARget:TYPE

This command sets or queries the event jump target type for the jump. You can generate an event in three ways:

- By connecting an external cable to instrument rear panel for external event.
- By pressing the Force Event button on the front panel.
- By sending the [EVENT\[:IMMEDIATE\]](#) remote command.

Group Sequence

Syntax SEQUENCE:ELEMENT[n]:JTARGET:TYPE {INDEX | NEXT | OFF}
SEQUENCE:ELEMENT[n]:JTARGET:TYPE?

Related Commands [SEQUENCE:ELEMENT\[n\]:JTARGET:INDEX](#)

Arguments INDEX. This enables the sequencer to jump to an index set using SEQUENCE:ELEMENT1:JTARGET:INDEX command.

NEXT. This enables the sequencer to jump to the next sequence element. SEQUENCE:ELEMENT1:JTARGET:INDEX setting is ignored.

OFF. This enables the sequencer to turn off the event jump state. In this state, even if the event occurs, the sequencer ignores it.

AT *RST, this value is OFF.

The value of n is an index number of sequence.

Returns IND | NEXT | OFF

Examples SEQUENCE:ELEMENT1:JTARGET:TYPE INDEX sets the jump target to INDEX.

SEQUENCE:ELEMENT[n]:LOOP:COUNT

This command will set or query the loop count. Loop count setting for an element is ignored if [SEQUENCE:ELEMENT\[n\]:LOOP:INFINITE](#) is set to TRUE.

Group Sequence

Syntax SEQUENCE:ELEMENT[n]:LOOP:COUNT <NR1>
SEQUENCE:ELEMENT[n]:LOOP:COUNT?

Related Commands [SEQUENCE:ELEMENT\[n\]:LOOP:INFINITE](#)

Arguments <NR1>

The value ranges between 1 and 65,536.

At *RST, this returns 1.

The value of n is an index number of sequence.

Returns <NR1>

Examples `SEQUENCE:ELEMENT:LOOP:COUNT 100` sets the element loop count to 100.

SEquence:ELEMEnt[n]:LOOP:INFinite

This command sets or returns the infinite looping state for a sequence element. When an infinite loop is set on an element, the sequencer continuously executes that element. To break the infinite loop, either issue the [AWGControl:STOP\[:IMMEDIATE\]](#) command or change the run mode to Continuous by using [AWGControl:RMODE](#) command.

Group Sequence

Syntax `SEQUENCE:ELEMENT[n]:LOOP:INFINITE <loop_state>`
`SEQUENCE:ELEMENT[n]:LOOP:INFINITE?`

Related Commands [SEquence:ELEMEnt\[n\]:LOOP:COUNT](#)

Arguments `<loop_state>::=<Boolean>`
 0 indicates False (OFF)
 1 indicates True (ON)
 At *RST, this returns 0.
 The value of <n> is an index number of sequence.

Returns <NR1>

Examples `SEQUENCE:ELEMENT1:LOOP:INFINITE 1` sets the infinite flag to True (ON).

SEquence:ELEMEnt[n]:TWAit

This command sets or returns the wait trigger state for an element. You can send a trigger signal in three ways:

- By using an external trigger signal.
- By pressing the “Force Trigger” button on the front panel.
- By sending the *TRG remote command.

Group Sequence

Syntax SEQUENCE:ELEMENT[n]:TWAit <Boolean>
SEQUENCE:ELEMENT[n]:TWAit?

Related Commands None

Arguments <wait_trigger_state>::=<Boolean>
0 indicates False (OFF)
1 indicates True (ON)
At *RST, this returns 0.
In the OFF state, the sequencer ignores trigger signals.
The value of <n> is an index number of sequence.

NOTE. *The instrument without option 08 always sets Wait Trigger On. Trying to set the wait trigger state to off in an instrument without option 08 will cause an error.*

Returns <NR1>

Examples SEQUENCE:ELEMENT1:TWAIT 1 sets the wait trigger state to ON.

SEQUENCE:ELEMENT[n]:WAVEform

This command sets or returns the waveform for a sequence element.

NOTE. *The value of n indicates index number of sequence.*

The value of m = 1 | 2 | 3 | 4 is based on the model. If the suffix is omitted, 1 is assumed.

The value of m indicates the channel that will output the waveform when the sequence is run.

The length of all the waveforms specified for a sequence element must be equal.

Group Sequence

Syntax	SEQUENCE:ELEMENT[n]:WAVEFORM [1 2 3 4] <wfm_name> SEQUENCE:ELEMENT[n]:WAVEFORM [1 2 3 4]?
Related Commands	None
Arguments	<wfm_name>::=<string>
Returns	<wfm_name>
Examples	<p>SEQUENCE:ELEMENT1:WAVEFORM1 “*TRIANGLE1000” sets the “*Triangle1000” waveform into the first element of the sequence.</p> <p>SEQUENCE:ELEMENT20:WAVEFORM1? might return “*Sine1000” indicating that the waveform named *Sine1000 is assigned to index number 20 of the channel 1 sequence.</p>

SEQUENCE:JUMP[:IMMEDIATE] (No Query Form)

This command executes the sequencer jump to the specified element index. This is called Force jump. This jump does not require an event for executing the jump. Also, the Jump target specified for event jump is not used here.

Group	Sequence
Syntax	SEQUENCE:JUMP[:IMMEDIATE] <target>
Related Commands	None
Arguments	<target>::=<NR1>
Examples	SEQUENCE:JUMP:IMMEDIATE 10 forces the sequencer to jump to index number 10.

SEQUENCE:LENGTH

This command sets or returns the sequence length. Use this command to create an uninitialized sequence. You can also use the command to clear all sequence elements in a single action by passing 0 as the parameter. However, this action cannot be undone so exercise necessary caution. Also note that passing a value

less than the sequence's current length will cause some sequence elements to be deleted at the end of the sequence. For example if `SEQUENCE:LENGTH?` returns 200 and you subsequently send `SEQUENCE:LENGTH 21`, all sequence elements except the first 20 will be deleted.

Group Sequence

Syntax `SEQUENCE:LENGTH <NR1>`
`SEQUENCE:LENGTH?`

Related Commands None

Arguments `<NR1>`
 At `*RST`, this returns 0.

Returns `<NR1>`

Examples `SEQUENCE:LENGTH 10` creates a sequence of 10 elements initializing all sequence parameters to default values.
`SEQUENCE:LENGTH?` will now return 10.
`SEQUENCE:LENGTH 12` will append two elements to the end of the above created sequence and initialize the new elements' parameters. However, it does not change the already existing elements.
`SEQUENCE:LENGTH 0` will delete the sequence.

[SOURce[1]]:FREQuency[:CW|:FIXed]

This command sets or returns the sampling frequency of the arbitrary waveform generator. Sampling frequency can be set when the internal clock source is selected and one of the following conditions is met:

- Internal is selected as Reference Source.
- External is selected as Reference Source and Fixed is selected as External Reference Type.

`CW` and `FIXed` are aliases and have the same effect.

Note that the frequency of the waveform output by the instrument is calculated as:

$$\text{OutputFrequency} = \frac{\text{SamplingFrequency}}{\text{NumberOfPoints}}$$

The minimum number of points in a waveform for AWG5000 and AWG7000 Series is 1.

Group	Source
Syntax	[SOURCE[1]]:FREQUENCY[:CW :FIXed] <NR3> [SOURCE[1]]:FREQUENCY[:CW :FIXed] ?
Related Commands	[SOURCE[n]]:WAVEform, AWGControl:INTERleave[:STATE]
Arguments	<NR3>. The value must be between 10 MHz to 10 GHz. At *RST, this returns 1.0000000E+10
Returns	<NR3>
Examples	SOURCE1:FREQUENCY 10MHZ sets the frequency to 10 MHz.

[SOURCE[1]]:ROSCillator:FREQUENCY

This command selects the reference oscillator frequency. Valid values are 10 MHz, 20 MHz and 100 MHz. This command is used when the Clock Source is Internal and Reference Input is External and External Reference Type is Fixed.

Group	Source
Syntax	[SOURCE[1]]:ROSCillator:FREQUENCY <NR3> [SOURCE[1]]:ROSCillator:FREQUENCY?
Related Commands	[SOURCE[1]]:ROSCillator:SOURce, [SOURCE[1]]:ROSCillator:TYPE
Arguments	<NR3> At *RST, this returns 10 MHz.

Returns <NR3>

Examples SOURCE1:ROSCILLATOR:FREQUENCY 10MHZ sets the reference oscillator source frequency to 10 MHz.

SOURCE1:ROSCILLATOR:FREQUENCY? will return 1.00000000E+7.

[SOURce[1]]:ROSCillator:MULTIplier

This command sets or returns the ROSCillator multiplier rate. This parameter is valid only when Clock Source is Internal and Reference Source is External and External Reference Type is Variable.

Group Source

Syntax [SOURce[1]]:ROSCillator:MULTIplier <NR1>
[SOURce[1]]:ROSCillator:MULTIplier?

Related Commands [SOURce[1]]:ROSCillator:SOURce, [SOURce[1]]:ROSCillator:TYPE

Arguments <NR1>

At *RST, this returns 1.

Returns <NR1>

Examples SOURCE1:ROSCILLATOR:MULTIPLIER 10 sets the multiplier rate to 10.

SOURCE1:ROSCILLATOR:MULTIPLIER? will return 10.

[SOURce[1]]:ROSCillator:SOURce

This command selects the reference oscillator source. INTERNAL means that the reference frequency is derived from the internal precision oscillator. EXTERNAL means the reference frequency is derived from an external signal supplied through the Reference Clock Input connector.

Group Source

Syntax [SOURCE[1]]:ROSCillator:SOURCE {INTERNAL|EXTERNAL}
[SOURCE[1]]:ROSCillator:SOURCE?

Related Commands [SOURCE[1]]:ROSCillator:FREQUENCY, [SOURCE[1]]:ROSCillator:TYPE

Arguments <INTERNAL|EXTERNAL>

INTERNAL – The reference frequency is derived from the internal precision oscillator.

EXTERNAL – The reference frequency is derived from an external signal supplied through the reference clock input.

At *RST, this returns INTERNAL.

Returns INT | EXT

Examples SOURCE1:ROSCILLATOR:SOURCE INTERNAL selects the internal clock source.

[SOURCE[1]]:ROSCillator:TYPE

This command selects the type of the reference oscillator. This parameter is valid only when Clock Source is Internal and Reference Source is External.

Group Source

Syntax [SOURCE[1]]:ROSCillator:TYPE {FIXED | VARIABLE}
[SOURCE[1]]:ROSCillator:TYPE?

Related Commands [SOURCE[1]]:ROSCillator:FREQUENCY, [SOURCE[1]]:ROSCillator:SOURCE

Arguments FIXED | VARIABLE

FIXED: Selects a reference source whose frequency is fixed to 10MHz, 20MHz, or 100MHz. Select one of these frequencies using the [SOURCE[1]]:ROSCillator:FREQUENCY command.

VARIABLE: Selects a reference source whose frequency is not fixed.

At *RST, this returns FIXED.

Returns FIX | VAR

Examples SOURCE1:ROSCILLATOR:SOURCE EXTERNAL;TYPE FIXED;FREQUENCY 20MHZ this selects a fixed frequency external reference oscillator whose frequency is 20 MHz. Selects the internal clock source.

[SOURce[n]]:COMBine:FEED (AWG5000 Series only)

This command adds the signal from an external input to the output of the channel.

NOTE. When the signal addition is enabled, the return value is "ESIG". It is always in uppercase.

When setting the parameter either "ESIGnal" or "ESIG" can be specified.

While setting the parameter, it is case insensitive.

Group Source

Syntax [SOURce[n]]:COMBine:FEED {"ESIGnal" | "" }
[SOURce[n]]:COMBine:FEED?

Related Commands None

Arguments "ESIGnal" – Adds the input from the external signal.

"" – Removes the signal feed.

At *RST, this returns "".

The value of n is 1,2,3 or 4 depending on the number of channels available. Specifying "" as input cancels the setting.

Returns "ESIG" | ""

Examples SOURCE1:COMBINE:FEED "ESIGNAL" adds an external signal to the channel 1 output signal.

[SOURce[n]]:DAC:RESolution

This command sets or returns the DAC resolution.

NOTE. DAC supports 8-bit and 10-bit resolutions only for AWG7000 Series instruments.

When the resolution changes to 10-bit, marker data will not be available.

AWG5000 Series instruments support only 14-bit resolution. Therefore this command will have no effect for these instruments.

DAC resolution is independent for each channel in AWG7000 Series instruments.

Group	Source
Syntax	[SOURCE[n]]:DAC:RESOLUTION <NR1> [SOURCE[n]]:DAC:RESOLUTION?
Related Commands	[SOURCE[n]]:MARKER[1 2]:DELAY, [SOURCE[n]]:MARKER[1 2]:VOLTAGE[:LEVEL][:IMMEDIATE]:HIGH, [SOURCE[n]]:MARKER[1 2]:VOLTAGE[:LEVEL][:IMMEDIATE]:AMPLITUDE, [SOURCE[n]]:MARKER[1 2]:VOLTAGE[:LEVEL][:IMMEDIATE]:LOW, [SOURCE[n]]:MARKER[1 2]:VOLTAGE[:LEVEL][:IMMEDIATE]:OFFSET
Arguments	<NR1> 8 sets the DAC resolution to 8 bits. 10 sets the DAC resolution to 10 bits. The value of n indicates the channel number. At *RST, this returns 8.
Returns	<NR1>
Examples	SOURCE1:DAC:RESOLUTION 10 sets the channel 1 resolution to 10 bits.

[SOURCE[n]]:DELAY[:ADJUST]

This command sets or returns the delay (in seconds) of the analog output.

NOTE. *The effect of this command can be seen only in non-sequence mode.*

This command does not change the waveform display on the user interface.

Group	Source
Syntax	[SOURCE[n]]:DELAY[:ADJUST] <NR3> [SOURCE[n]]:DELAY[:ADJUST]?
Related Commands	[SOURCE[n]]:DELAY:POINTS, [SOURCE[n]]:PDELAY:HOLD, [SOURCE[n]]:PHASE[:ADJUST]
Arguments	<NR3> At *RST, this returns 0 s.
Returns	<NR3>
Examples	SOURCE1:DELAY:ADJUST 20PS sets the analog output delay for channel 1 to 20 picoseconds.

[SOURCE[n]]:DELAY:POINTS

This command sets or returns the delay (in points) of the analog output.

NOTE. *The effect of this command can be seen only in non-sequence mode.*

This command does not change the waveform display on the user interface.

Group	Source
Syntax	[SOURCE[n]]:DELAY:POINTS <NR3> [SOURCE[n]]:DELAY:POINTS?
Related Commands	[SOURCE[n]]:DELAY[:ADJUST], [SOURCE[n]]:PDELAY:HOLD, [SOURCE[n]]:WAVEFORM
Arguments	<NR3> At *RST, this returns 0 points.
Returns	<NR3>

Examples SOURCE1:DELAY:POINTS 20 sets the analog output delay for channel 1 to 20 points.

[SOURce[n]]:DIGital:VOLTage[:LEVel][:IMMediate][:AMPLitude] (AWG5000 Series only)

This command sets or returns the amplitude of digital output. This command is available only for AWG5012B and AWG5002B instruments with option 03.

Group Source

Syntax [SOURce[n]]:DIGital:VOLTage[:LEVel][:IMMediate][:AMPLitude] <NR3>
[SOURce[n]]:DIGital:VOLTage[:LEVel][:IMMediate][:AMPLitude]?

Related Commands [SOURce[n]]:DIGital:VOLTage[:LEVel][:IMMediate]:HIGH, [SOURce[n]]:DIGital:VOLTage[:LEVel][:IMMediate]:LOW, [SOURce[n]]:DIGital:VOLTage[:LEVel][:IMMediate]:OFFSet

Arguments <NR3>
The value of n indicates the channel number.
At *RST, this returns 1 V_{pp}.

Returns <NR3>

Examples SOURCE1:DIGITAL:VOLTAGE:LEVEL:IMMEDIATE:AMPLITUDE 1.4 sets the digital output amplitude level to 1.4 volts.

[SOURce[n]]:DIGital:VOLTage[:LEVel][:IMMediate]:HIGH (AWG5000 Series only)

This command sets or returns the high digital output. This command is available only for AWG5012B and AWG5002B instruments with option 03.

Group Source

Syntax [SOURce[n]]:DIGital:VOLTage[:LEVel][:IMMediate]:HIGH <NR3>
[SOURce[n]]:DIGital:VOLTage[:LEVel][:IMMediate]:HIGH?

Related Commands	[SOURCE[n]]:DIGital:VOLTage[:LEVel][:IMMediate]:LOW , [SOURCE[n]]:DIGital:VOLTage[:LEVel][:IMMediate][:AMPLitude] , [SOURCE[n]]:DIGital:VOLTage[:LEVel][:IMMediate]:OFFSet
Arguments	<NR3> The value of n indicates the channel number. At *RST, this returns 1 V.
Returns	<NR3>
Examples	SOURCE1:DIGITAL:VOLTAGE:LEVEL:IMMEDIATE:HIGH 1.4 sets the digital output high level to 1.4 volts.

[SOURCE[n]]:DIGital:VOLTage[:LEVel][:IMMediate]:LOW (AWG5000 Series only)

This command sets or returns the low digital output. This command is available only for AWG5012B and AWG5002B instruments with option 03.

Group	Source
Syntax	[SOURCE[n]]:DIGital:VOLTage[:LEVel][:IMMediate]:LOW <NR3> [SOURCE[n]]:DIGital:VOLTage[:LEVel][:IMMediate]:LOW?
Related Commands	[SOURCE[n]]:DIGital:VOLTage[:LEVel][:IMMediate]:HIGH , [SOURCE[n]]:DIGital:VOLTage[:LEVel][:IMMediate][:AMPLitude] , [SOURCE[n]]:DIGital:VOLTage[:LEVel][:IMMediate]:OFFSet
Arguments	<NR3> The value of n indicates the channel number. At *RST, this returns 0 V.
Returns	<NR3>
Examples	SOURCE1:DIGITAL:VOLTAGE:LEVEL:IMMEDIATE:LOW 0.5 sets the digital output high level to 0.5 volts.

[SOURce[n]]:DIGital:VOLTage[:LEVel][:IMMediate]:OFFSet (AWG5000 Series only)

This command sets or returns the offset of digital output. This command is available only for AWG5012B and AWG5002B instruments with option 03.

Group Source

Syntax [SOURce[n]]:DIGital:VOLTage[:LEVel][:IMMediate]:OFFSet <NR3>
[SOURce[n]]:DIGital:VOLTage[:LEVel][:IMMediate]:OFFSet?

Related Commands [SOURce[n]]:DIGital:VOLTage[:LEVel][:IMMediate]:HIGH, [SOURce[n]]:DIGital:VOLTage[:LEVel][:IMMediate]:LOW, [SOURce[n]]:DIGital:VOLTage[:LEVel][:IMMediate]:AMPLitude

Arguments <NR3>
The value of n indicates the channel number.
At *RST, this returns 0.5 V.

Returns <NR3>

Examples SOURCE1:DIGITAL:VOLTAGE:LEVEL:IMMEDIATE:OFFSET 1.0 sets the digital output amplitude level to 1.0 volts.

[SOURce[n]]:FUNCTion:USER

This command sets or returns the waveform to waveform memory.

- Use this command to directly load a waveform or pattern file for the AWG400/500/600/700 Series from mass memory to a specified channel.
- The waveform is internally converted to the AWG5000/AWG7000 Series format and inserted into the current waveform list. To successfully load a waveform, the waveform name should conform to AWG5000/AWG7000 Series waveform naming conventions.

Group Source

Syntax [SOURce[n]]:FUNCTion:USER <file_name>[<msus>]
[SOURce[n]]:FUNCTion:USER?

Related Commands [WLIST:NAME?](#)

Arguments <file_name>:: = <string>
Value of n indicates the channel number.

Returns <file_name>

Examples SOURCE1:FUNCTION:USER "SAMPLE1.WFM" loads sample1.wfm into waveform list and also sets it as the output waveform of channel1.

[SOURce[n]]:MARKer[1|2]:DELay

This command sets or returns the marker delay. Marker delay is independent for each channel.

In the AWG7000 Series when DAC resolution is changed to 10 bits, marker output is not available. However, marker related parameters can be modified using SCPI commands.

Group Source

Syntax [SOURce[n]]:MARKer[1|2]:DELay <NR3>
[SOURce[n]]:MARKer[1|2]:DELay?

Related Commands [\[SOURce\[n\]\]:DAC:RESolution](#)

Arguments <NR3>
The value of n indicates the channel number.
At *RST, this returns 0.

Returns <NR3>

Examples SOURCE1:MARKER1:DELAY 20PS sets the marker1 delay of channel1 to 20 picoseconds.

SOURCE1:MARKER1:DELAY? will return 2.00000000E -011 indicating 20 ps.

[SOURce[n]]:MARKer[1|2]:VOLTage[:LEVel][:IMMediate][:AMPLitude]

This command sets the marker amplitude.

In the AWG7000 Series, when the DAC resolution is changed to 10 bits, marker output is not available. However, marker related parameters can be modified using SCPI commands.

Group Source

Syntax [SOURce[n]]:MARKer[1|2]:VOLTage[:LEVel][:IMMediate][:AMPLitude] <NR3>
[SOURce[n]]:MARKer[1|2]:VOLTage[:LEVel][:IMMediate][:AMPLitude]?

Related Commands [\[SOURce\[n\]\]:DAC:RESolution](#)

Arguments <NR3>
The value of n indicates the channel number.
At *RST, this returns 1 Vpp.

Returns <NR3>

Examples SOURCE1:MARKER1:VOLTAGE:AMPLITUDE 0.5V sets the channel1 marker1amplitude to 0.5 volts.
SOURCE1:MARKER1:VOLTAGE:AMPLITUDE? will return 0.5 volts.

[SOURce[n]]:MARKer[1|2]:VOLTage[:LEVel][:IMMediate]:HIGH

This command sets the marker high level.

In the AWG7000 Series, when DAC resolution is changed to 10 bits, marker output is not available. However, marker related parameters can be modified using SCPI commands.

Refer to the User Online Help for the setting range of marker high and marker low.

Group Source

Syntax [SOURce[n]]:MARKer[1|2]:VOLTage[:LEVel][:IMMediate]:HIGH <NR3>

[SOURCE[n]]:MARKer[1|2]:VOLTage[:LEVEl][:IMMediate]:HIGH?

Related Commands [\[SOURCE\[n\]\]:DAC:RESolution](#), [\[SOURCE\[n\]\]:MARKer\[1|2\]:VOLTage\[:LEVEl\]\[:IMMediate\]:LOW](#)

Arguments <NR3>

The value of n indicates the channel number.

At *RST, this returns 1 V.

Returns <NR3>

Examples SOUR1:MARK1:VOLT:HIGH 0.75 sets the marker1 high to 0.75 volts.

[SOURCE[n]]:MARKer[1|2]:VOLTage[:LEVEl][:IMMediate]:LOW

This command sets the marker low level.

In the AWG7000 Series, when the DAC resolution is changed to 10 bits, marker output is not available. However, marker related parameters can be modified using SCPI commands.

Refer to the User Online Help for the setting range of marker high and marker low.

Group Source

Syntax [SOURCE[n]]:MARKer[1|2]:VOLTage[:LEVEl][:IMMediate]:LOW
<NR3>
[SOURCE[n]]:MARKer[1|2]:VOLTage[:LEVEl][:IMMediate]:LOW?

Related Commands [\[SOURCE\[n\]\]:DAC:RESolution](#), [\[SOURCE\[n\]\]:MARKer\[1|2\]:VOLTage\[:LEVEl\]\[:IMMediate\]:HIGH](#)

Arguments <NR3>

The value of n indicates the channel number.

At *RST, this returns 0 V.

Returns <NR3>

Examples SOUR1:MARK1:VOLT:LOW 0.5 sets the marker1 low to 0.5 volts.

[SOURce[n]]:MARKer[1|2]:VOLTage[:LEVel][:IMMediate]:OFFSet

This command sets the marker offset.

In the AWG7000 Series, when the DAC resolution is changed to 10 bits, marker output is not available. However, marker related parameters can be modified using SCPI commands.

Group Source

Syntax [SOURce[n]]:MARKer[1|2]:VOLTage[:LEVel][:IMMediate]:OFFSet
<NR3>
[SOURce[n]]:MARKer[1|2]:VOLTage[:LEVel][:IMMediate]:OFFSet?

Related Commands [SOURce[n]]:DAC:RESolution, [SOURce[n]]:MARKer[1|2]:VOLTage[:LEVel][:IMMediate]:HIGH, [SOURce[n]]:MARKer[1|2]:VOLTage[:LEVel][:IMMediate]:LOW

Arguments <NR3>
The value of n indicates the channel number.
At *RST, this returns 0.5 V.

Returns <NR3>

Examples SOURCE1:MARKER1:VOLTAGE:OFFSET 1.0 sets the offset channel1 marker1 to 1 V.

[SOURce[n]]:PDELay:HOLD

This command sets or returns the parameter that is retained when sampling rate or waveform length is changed.

NOTE. *The effect of this command can be seen only in non-sequence mode.*

Group Source

Syntax	[SOURCE[n]]:PDELAY:HOLD {PHASE DELAY POINT} [SOURCE[n]]:PDELAY:HOLD?
Related Commands	[SOURCE[n]]:DELAY[:ADJUST], [SOURCE[n]]:DELAY:POINTS, [SOURCE[n]]:PHASE[:ADJUST]
Arguments	PHASE DELAY POINT At *RST, this returns PHASE.
Returns	PHAS DEL POIN
Examples	SOURCE1:PDELAY:HOLD PHASE will retain the channel 1 phase value when the instrument sampling rate or waveform length is changed.

[SOURCE[n]]:PHASE[:ADJUST] (AWG5000 Series only)

This command sets or returns the phase of the analog output.

NOTE. *The effect of this command can be seen only in non-sequence mode.*

This command does not change the waveform display on the user interface.

Group	Source
Syntax	[SOURCE[n]]:PHASE[:ADJUST] <NR3> [SOURCE[n]]:PHASE[:ADJUST]?
Related Commands	[SOURCE[n]]:DELAY[:ADJUST], [SOURCE[n]]:DELAY:POINTS, [SOURCE[n]]:PDELAY:HOLD
Arguments	<NR3> At *RST, this returns 0 degree.
Returns	<NR3>
Examples	SOURCE1:PHASE:ADJUST 180 sets the analog output phase for channel 1 to 180 degrees.

[SOURce[n]]:SKEW

This command sets or returns the skew for the waveform associated with a channel.

Group Source

Syntax [SOURce[n]]:SKEW <NR3>
[SOURce[n]]:SKEW?

Related Commands None

Arguments <NR3>
-100 ps to +100 ps. It can be changed by a minimum of 1ps at a time.
The value of n indicates the channel number.
At *RST, this returns 0 s.

Returns <NR3>

Examples SOURCE2:SKEW 75PS sets the skew for channel2 to 75 ps.
SOURCE2:SKEW? will return 7.50000000E-011, indicating that the skew is 75 ps.

[SOURce[n]]:VOLTage[:LEVel][:IMMediate][:AMPLitude]

This command sets or returns the amplitude for the waveform associated with a channel.

Group Source

Syntax [SOURce[n]]:VOLTage[:LEVel][:IMMediate][:AMPLitude] <NR3>
[SOURce[n]]:VOLTage[:LEVel][:IMMediate][:AMPLitude]?

Related Commands None

Arguments <NR3> in the range 50 mV to 2V pk-pk.
The value of n indicates the channel number.

At *RST, this returns 1 Vpp.

Returns <NR3>

Examples SOURCE1:VOLTAGE:AMPLITUDE 1.5 sets the amplitude of channel1 to 1.5 volts.
SOURCE1:VOLTAGE:AMPLITUDE? will return 1.5.

[SOURce[n]]:VOLTage[:LEVel][:IMMediate]:HIGH

This command sets or returns the high voltage level for the waveform associated with a channel. The command is not available on instruments with the Option 02 or Option 06 installed.

Group Source

Syntax [SOURce[n]]:VOLTage[:LEVel][:IMMediate]:HIGH <NR3>
[SOURce[n]]:VOLTage[:LEVel][:IMMediate]:HIGH?

Related Commands [\[SOURce\[n\]\]:VOLTage\[:LEVel\]\[:IMMediate\]:LOW](#)

Arguments <NR3>

The value of n indicates the channel number.

At *RST, this returns 0.5 V.

Returns <NR3>

Examples SOURCE1:VOLTAGE:HIGH 0.75 sets the channel1's high to 0.75 volts.

[SOURce[n]]:VOLTage[:LEVel][:IMMediate]:LOW

This command sets or returns the low voltage level for the waveform associated with a channel. The command is not available on instruments with Option 02 or Option 06 installed.

Group Source

Syntax [SOURCE[n]]:VOLTage[:LEVEl][:IMMediate]:LOW <NR3>
[SOURCE[n]]:VOLTage[:LEVEl][:IMMediate]:LOW?

Related Commands None

Arguments <NR3>
The value of n indicates the channel number.
At *RST, this returns -0.5 V.

Returns <NR3>

Examples SOURCE1:VOLTAGE:LOW 0.25 sets the channel1 low to 0.25 volts.

[SOURCE[n]]:VOLTage[:LEVEl][:IMMediate]:OFFSet

This command sets or returns the offset for the waveform associated with a channel. The command is not available on instruments with Option 02 or Option 06 installed.

Group Source

Syntax [SOURCE[n]]:VOLTage[:LEVEl][:IMMediate]:OFFSet <NR3>
[SOURCE[n]]:VOLTage[:LEVEl][:IMMediate]:OFFSet?

Related Commands [SOURCE[n]]:VOLTage[:LEVEl][:IMMediate]:HIGH, [SOURCE[n]]:VOLTage[:LEVEl][:IMMediate]:LOW, AWGControl:DOUtpuT[n]:STATe

Arguments <NR3>
The value of n indicates the channel number.
At *RST, this returns -0.5 V.

Returns <NR3>

Examples SOURCE1:VOLTAGE:LEVEL:IMMEDIATE:OFFSET 0.5 sets the channel 1 offset to 0.5 V.

[SOURce[n]]:WAVEform

This command sets or returns the output waveform from the current waveform list for each channel when Run Mode is not Sequence. However, this command cannot be used to load a waveform stored in an AWG400/500/600/700 waveform or pattern file. To load a waveform stored in an AWG400/500/600/700 waveform or pattern file, use the [SOURce[n]]:FUNCTION:USER command.

Group Source

Syntax [SOURce[n]]:WAVEform <wfm_name>
[SOURce[n]]:WAVEform?

Related Commands [SOURce[n]]:FUNCTION:USER

Arguments <wfm_name>::=<string>

The value of n indicates the channel number.

Returns <wfm_name>

Examples SOURCE1:WAVEFORM “*SINE100” loads a predefined waveform called “*Sine100” into channel1 memory.
SOURCE1:WAVEFORM? will return “*Sine100”.

*SRE

This command sets or queries the bits in Service Request Enable register.

Group Status

Syntax *SRE <NR1>
*SRE?

Related Commands *CLS, *ESE, *ESR?, *STB?

Arguments <NR1>

Returns <NR1>

Examples *SRE 48 sets the bits in the SRER to the binary value 00110000.
*SRE? might return a value of 32, showing that the bits in the SRER have the binary value 00100000.

STATus:OPERation:CONDition? (Query Only)

This query returns the contents of the Operation Condition Register.

Note that the OCR is not used in the arbitrary waveform generator.

Group Status

Syntax STATus:OPERation:CONDition?

Related Commands [STATus:OPERation:ENABLE](#), [STATus:OPERation\[:EVENT\]?](#)

Returns <NR1>

STATus:OPERation:ENABLE

This command sets or returns the mask for the Operation Enable Register.

Note that the OENR is not used in the arbitrary waveform generator.

Group Status

Syntax STATus:OPERation:ENABLE <NR1>
STATus:OPERation:ENABLE?

Related Commands [STATus:OPERation:CONDition?](#), [STATus:OPERation\[:EVENT\]?](#)

Arguments <NR1>

Returns <NR1>

STATus:OPERation[:EVENT]? (Query Only)

This query returns the contents of Operation Event Register.

Note that the OEVR is not used in the arbitrary waveform generator.

Group Status

Syntax `STATUS:OPERation[:EVENT]?`

Related Commands [STATUS:OPERation:CONDition?](#), [STATUS:OPERation:ENABLE](#)

Returns <NR1>

STATUS:PRESet (No Query Form)

This command sets the OENR and QENR registers.

Group Status

Syntax `STATUS:PRESet`

Related Commands None

Examples `STATUS:PRESET` resets the SCPI enable registers.

STATUS:QUESTionable:CONDition? (Query Only)

This query returns the status of the Questionable Condition Register.

Note that the QCR is not used in the arbitrary waveform generator.

Group Status

Syntax `STATUS:QUESTionable:CONDition?`

Related Commands [STATUS:QUESTionable:ENABLE](#), [STATUS:QUESTionable\[:EVENT\]?](#)

Returns <NR1>

STATus:QUESTionable:ENABLE

This command sets or returns the mask for Questionable Enable Register.

Note that the QENR is not used in the arbitrary waveform generator.

Group Status

Syntax STATus:QUESTionable:ENABLE <NR1>
STATus:QUESTionable:ENABLE?

Related Commands [STATus:QUESTionable:CONDition?](#), [STATus:QUESTionable\[:EVENT\]?](#)

Returns <NR1>

STATus:QUESTionable[:EVENT]? (Query Only)

This query returns the status of the QEVR register and clears it.

Group Status

Syntax STATus:QUESTionable[:EVENT]?

Related Commands [STATus:QUESTionable:CONDition?](#), [STATus:QUESTionable:ENABLE](#)

Returns <NR1>

Examples STATus:QUESTIONABLE:EVENT? might return 32, which indicates that the QEVR contains the binary number 00000000 00100000.

*STB? (Query Only)

This query returns the contents of Status Byte Register.

Group Status

Syntax *STB?

Related Commands	*CLS, *ESE, *ESR?, *SRE
Returns	<NR1>
Examples	*STB? might return 96, which indicates that the SBR contains the binary number 0110 0000.

SYSTem:DATE

This command sets or returns the system date. When the values are nonintegers, they are rounded off to nearest integral values.

Group	System
Syntax	SYSTem:DATE <year>,<month>,<day> SYSTem:DATE?
Related Commands	None
Arguments	<year>::=<NRf> (Four digit number) <month>::=<NRf> from 1 to 12 <day>::=<NRf> from 1 to 31
Returns	<year>,<month>,<day>
Examples	SYSTem:DATE 2008,6,20 sets the date to June 20, 2008.

SYSTem:ERRor[:NEXT]? (Query Only)

This command retrieves and returns data from the error and event queues.

Group	System
Syntax	SYSTem:ERRor[:NEXT]?
Related Commands	None

Returns <Error / event number>, <error / event description [;device dependant info]>
 0 – No Error
 Error / event number <NR1>
 error / event description <string>

Examples SYSTEM:ERROR:NEXT? might return the following response:
 -102,"syntax error;possible invalid suffix - :SOUR:FREQ 2V"
 This response indicates that the unit is invalid.

SYSTem:KLOCK

This command locks or unlocks the keyboard and front panel of the arbitrary waveform generator.

Group System

Syntax SYSTem:KLOCK <state>
 SYSTem:KLOCK?

Related Commands None

Arguments <state>::=<Boolean>
 0 indicates False. The front panel and keyboard are unlocked.
 1 indicates True. The front panel and keyboard are locked.
 At *RST, this returns 0.

Returns <NR1>

Examples SYSTem:KLOCK ON locks the front panel and keyboard.
 SYSTem:KLOCK might return 1, which indicates that the front panel and keyboard are locked.

SYSTem:TIME

This command sets or returns the system time. When the values are nonintegers, they are rounded off to nearest integral values.

Group System

Syntax SYSTem:TIME <hour>,<minute>,<second>
SYSTem:TIME?

Related Commands None

Arguments <hour>,<minute>,<second>
<hour>::=<NRf> from 0 to 23
<minute>::=<NRf> from 0 to 59
<second>::=<NRf> from 0 to 59

Returns <hour>,<minute>,<second>

Examples SYSTem:TIME 11,23,58 sets the time.

SYSTem:VERSion? (Query Only)

This command returns the SCPI version number to which the command conforms.

Group System

Syntax SYSTem:VERSion?

Related Commands None

Returns <NR2>::=YYYY.V

where YYYY represents the year version and V represents an approved revision number for that year.

Examples SYSTem:VERSION? might return 1999.0.

***TRG (No Query Form)**

This command generates a trigger event. This is equivalent to pressing Trig button on front panel.

Group Trigger

Syntax *TRG

Related Commands [TRIGger\[:SEquence\]\[:IMMediate\]](#)

Examples *TRG generates a trigger event.

TRIGger[:SEquence][:IMMediate] (No Query Form)

This command generates a trigger event. This is equivalent to *TRG.

Group Trigger

Syntax TRIGger[:SEquence][:IMMediate]

Related Commands [*TRG](#)

Examples TRIGGER:SEQUENCE:IMMEDIATE generates the trigger event.

TRIGger[:SEquence]:IMPedance

This command sets or returns the trigger impedance. It applies only to the external trigger.

Group Trigger

Syntax TRIGger[:SEquence]:IMPedance <impedance>
TRIGger[:SEquence]:IMPedance?

Related Commands None

Arguments	<impedance>::=<NR3> At *RST, this returns 1 k Ω
Returns	<NR3>
Examples	TRIGGER:SEQUENCE:IMPEDANCE 50 selects 50 Ω impedance for the external trigger input.

TRIGger[:SEQuence]:LEVEl

This command sets or returns the trigger input level (threshold).

Group	Trigger
Syntax	TRIGger[:SEQuence]:LEVEl <NR3> TRIGger[:SEQuence]:LEVEl?
Related Commands	TRIGger[:SEQuence]:SOURce
Arguments	<NR3> At *RST, this returns 1.4 V.
Returns	<NR3>
Examples	TRIGGER:SEQUENCE:LEVEL 200MV sets the trigger level to 200 mV.

TRIGger[:SEQuence]:MODE (AWG7000B Series only)

This command sets or returns the trigger timing. It is used in the Triggered or Sequence mode. Trigger timing can be set when the external trigger source is selected.

Group	Trigger
Syntax	TRIGger[:SEQuence]:MODE <trigger_type> TRIGger[:SEQuence]:MODE?

Related Commands	TRIGger[:SEQuence]:SOURce
Arguments	<p><trigger_type>::={SYNChronous ASYNchronous}</p> <p>SYNChronous does not lower trigger jitter.</p> <p>ASYNchronous lowers trigger jitter.</p> <p>At *RST, this returns ASYNchronous.</p>
Returns	SYNC ASYN
Examples	TRIGGER:SEQUENCE:MODE ASYNchronous sets the trigger timing to asynchronous type.

TRIGger[:SEQuence]:POLarity

This command sets or returns the trigger input polarity. It is used to set polarity in gated mode.

Group	Trigger
Syntax	TRIGger[:SEQuence]:POLarity {POSitive NEGative} TRIGger[:SEQuence]:POLarity?
Related Commands	AWGControl:RMODE , TRIGger[:SEQuence]:LEVel
Arguments	<p>POSitive means the gate signal is activated when the external trigger signal is greater (more Positive) than the trigger level.</p> <p>NEGative means the gate signal is activated when the external trigger signal is less (more Negative) than the trigger level.</p> <p>At *RST, this returns POSitive.</p>
Returns	POS NEG
Examples	TRIGGER:SEQUENCE:POLARITY NEGATIVE selects the Negative polarity.

TRIGger[:SEQuence]:SLOPe

This command sets or returns the trigger slope. It is used to set polarity in modes other than gated mode.

Group Trigger

Syntax TRIGger[:SEQuence]:SLOPe {POSitive | NEGative}
TRIGger[:SEQuence]:SLOPe?

Related Commands [TRIGger\[:SEQuence\]:SOURce](#)

Arguments POSitive means that the event occurs on the rising edge of the external trigger signal.

NEGative means that the event occurs on the falling edge of the external trigger signal.

At *RST, this returns POSitive.

Returns POS | NEG

Examples TRIGGER:SEQUENCE:SLOPE NEGATIVE selects the Negative slope.

TRIGger[:SEQuence]:SOURce

This command sets or returns the trigger source.

Group Trigger

Syntax TRIGger[:SEQuence]:SOURce {INTernal | EXTernal}
TRIGger[:SEQuence]:SOURce?

Related Commands [TRIGger\[:SEQuence\]:LEVel](#), [TRIGger\[:SEQuence\]:POLarity](#),
[TRIGger\[:SEQuence\]:SLOPe](#), [TRIGger\[:SEQuence\]:TIMer](#)

Arguments INTernal selects internal clock as the trigger source.

EXTernal selects external clock as the trigger source.

At *RST, this returns EXTernal.

Returns INT | EXT

Examples TRIGGER:SEQUENCE:SOURCE INTERNAL selects the internal clock as the trigger source.

TRIGger[:SEQuence]:TIMer

This command sets or returns the internal trigger rate (trigger interval).

Group Trigger

Syntax TRIGger[:SEQuence]:TIMer <NR3>
TRIGger[:SEQuence]:TIMer?

Related Commands [TRIGger\[:SEQuence\]:SOURce](#)

Arguments <NR3>
At *RST, this returns 100 ms.

Returns <NR3>

Examples TRIGGER:SEQUENCE:TIMER 5MS sets the internal trigger rate to 5 ms.

TRIGger[:SEQuence]:WVALue

This command sets or returns the output data position of a waveform while the instrument is in the waiting-for-trigger state. This is valid only when Run Mode is Triggered or Gated.

Group Trigger

Syntax TRIGger[:SEQuence]:WVALue {FIRST | LAST}
TRIGger[:SEQuence]:WVALue?

Related Commands [TRIGger\[:SEQuence\]:SOURce](#)

Arguments	FIRST specifies the first value of the waveform as the output level. LAST specifies the last value of the waveform as the output level. At *RST, this returns FIRSt.
Returns	FIRS LAST
Examples	TRIGGER:SEQUENCE:WVALUE LAST selects the last value as the output level.

*TST? (Query Only)

This query executes a self test and returns the results.

Group Diagnostic

Syntax *TST?

Related Commands [DIAGnostic\[:IMMediate\]](#), [DIAGnostic:DATA?](#), [DIAGnostic:SElect](#)

Returns <NR1>
0 indicates no error.

Examples *TST? might return -330 indicating that the self test failed.

*WAI (No Query Form)

This command prevents the arbitrary waveform generator from executing further commands until all pending commands are executed.

Group Synchronization

Syntax *WAI

Related Commands [*OPC](#)

Examples *WAI prevents the execution of any commands or queries until all pending operations complete.

WLISt:NAME? (Query Only)

This query returns the waveform name of an element in the waveform list. This query can be used to query the waveform name in the waveform list.

Group Waveform

Syntax WLISt:NAME? <Index>

Related Commands None

Arguments <Index>::=<NR1>

Returns <string>::=<wfm_name> is the waveform name specified by <index>.

Examples WLISt:NAME? 21 might return “untitled21”.

WLISt:SIZE? (Query Only)

This query returns the size (number of waveforms) of the waveform list. Names of both predefined and user-created waveforms are stored in a single list. The maximum size depends on the length of each waveform.

Group Waveform

Syntax WLISt:SIZE?

Related Commands [WLISt:WAVEform:NEW](#)

Returns <NR1>

At *RST, this returns the number of predefined waveforms.

Examples WLISt:SIZE? might return 20 when user-defined waveform list is empty.

WLISt:WAVEform:DATA

This command transfers waveform data from the external controller into the waveform list or from the waveform list to the external control program.

NOTE. Before transferring data to the instrument, a waveform must be created using the [WLISt:WAVEform:NEW](#) command.

Using *StartIndex* and *Size*, part of a waveform can be transferred at a time. Very large waveforms can be transferred in chunks.

The format of the transferred data depends on the waveform type.

If *Size* is omitted, the length of waveform is assumed to be the value of the *Size* parameter.

Transferring large waveforms in chunks allows external programs to cancel the operation before it is completed.

The instrument supports two types of waveform data: integer format and floating point format. The integer format occupies two bytes per waveform data point. Floating point waveform data points occupy five bytes. So the total bytes will be five times the size of the waveform. The first four bytes of each data point represent the floating point representation of the sample value and the fifth byte stores the marker data. The marker data occupy the two most significant bits of the fifth byte.

The minimum size of the waveform must be 1 and the maximum size depends on the instrument model and configuration.

Refer to the User Online Help, **AWG Reference > Waveform General Information** section for the detailed format specification.

Group Waveform

Syntax WLISt:WAVEform:DATA
 <wfm_name>[,<StartIndex>[,<Size>]],<block_data>
 WLISt:WAVEform:DATA? <wfm_name>[,<StartIndex>[,<Size>]]

Related Commands [WLISt:WAVEform:NEW](#), [WLISt:WAVEform:MARKer:DATA](#)

Arguments startIndex, size,<block_data>
 <wfm_name>::=<string>

<startIndex>::=<NR1>

<Size>::=<NR1>

<block_data>::=<IEEE 488.2 block>

Returns <block_data>

Examples WLISt:WAVEFORM:DATA "Testwfm",0,1024,#42048xxxx... this transfers waveform data to a waveform called "TestWfm" created earlier using the WLISt:WAVEFORM:NEW command. The data size is 1024 points (2048 bytes) and the start index is 1 (the first data point). Note that the IEEE 488.2 block header depends on the type of the data being transferred. If it is integer type, the total bytes will be twice the size of the waveform and if it is a real waveform, the total bytes will be five times the size of the waveform.

WLISt:WAVEform:DELeTe (No Query Form)

This command deletes the waveform from the currently loaded setup.

NOTE. *The waveform will be deleted even if it is a part of the sequence*

The sequence element corresponding to the deleted waveform will have WFMID_EMPTY

When ALL is specified, all user-defined waveforms in the list are deleted in a single action. Note that there is no "UNDO" action once the waveforms are deleted. Use caution before issuing this command.

If the deleted waveform is currently loaded into waveform memory, it is unloaded. If the RUN state of the instrument is ON, the state is turned OFF. If the channel is on, it will be switched off.

Group Waveform

Syntax WLISt:WAVEform:DELeTe {<wfm_name> | ALL }

Related Commands [WLISt:SIZE?](#)

Arguments <wfm_name>::=<string>

Examples `WLIST:WAVEFORM:DELETE ALL` deletes all user-defined waveforms from the currently loaded setup. The ALL parameter does not delete predefined waveforms.

`WLIST:WAVEFORM:DELETE "Test1"` deletes a waveform called "Test1".

WLISt:WAVEform:LENGth? (Query Only)

This query returns the size of the waveform. The returned value represents data points (not bytes).

Group Waveform

Syntax `WLISt:WAVEform:LENGth? <wfm_name>`

Related Commands [WLISt:WAVEform:NEW](#)

Arguments `<wfm_name>::=<string>`

Returns `<NR1>`

Examples `WLIST:WAVEFORM:LENGTH? "*sine 360"` will return 360.

WLISt:WAVEform:MARKer:DATA

This command sets or queries the waveform marker data.

NOTE. *This command returns or sends only marker data for the waveform.*

Each marker data occupies one bit. Two most significant bits of each byte are used for marker1 and marker2 (bit 6 for marker1 and bit 7 for marker2). For more information about the waveform data format, refer to the AWG Reference > Waveform General Information section of the user online help.

You will have to use bit masks to obtain the actual value.

When used on a waveform with n data points, you get only n bytes, each byte having values for both markers.

Block data can be sent in batches using "Size" and "StartIndex" parameters.

Group	Waveform
Syntax	<pre> WLISt:WAVEform:MARKer:DATA <wfm_name>[,<StartIndex>[,<Size>]],<block_data> WLISt:WAVEform:MARKer:DATA? <wfm_name>[,<StartIndex>[,<Size>]] </pre>
Related Commands	None
Arguments	<pre> <wfm_name>::=<string> <StartIndex>::=<NR1> <Size>::=<NR1> <block_data>::=<IEEE 488.2 block> </pre>
Returns	<block_data>
Examples	<pre> WLISt:WAVEFORM:MARKER:DATA "mywaveform",0,1000,#41000... WLISt:WAVEFORM:MARKER:DATA? "mywaveform",0,1000 </pre>

WLISt:WAVEform:NEW (No Query Form)

This command creates a new empty waveform in the waveform list of current setup.

Group	Waveform
Syntax	<pre> WLISt:WAVEform:NEW <wfm_name>,<Size>,<Type> </pre>
Related Commands	WLISt:WAVEform:DATA
Arguments	<pre> <wfm_name>::=<string> <Size>::=<NR1> <Type>::={REAL INTeger} </pre>
Examples	<pre> WLISt:WAVEFORM:NEW "Test1", 1024, INTeger creates a new integer waveform called Test1 with 1024 points. </pre>

WLISt:WAVEform:PREDeFined? (Query Only)

This query returns true or false based on whether the waveform is predefined.

NOTE. *Predefined waveforms have fixed length and name. Therefore, renaming or deleting them is not possible.*

Creating a new waveform with the same name as the predefined waveform is not possible.

Data of a predefined waveform can be transferred to an external controller using WLISt:WAVEform:DATA command.

Group Waveform

Syntax WLISt:WAVEform:PREDeFined? <wfm_name>

Related Commands None

Arguments <wfm_name>::=<string>

Returns <state>::=<Boolean>

Examples WLISt:WAVEFORM:PREDEFINED? "*Sine3600" will return 1 indicating that it is a predefined waveform.

WLISt:WAVEform:TSTamp? (Query Only)

This query returns the time stamp of the waveform.

NOTE. *Time stamp is updated whenever the waveform is created or changed. It is not updated when it is renamed.*

The command returns date as a string in the form "yyyy/mm/dd hh:mm:ss (a white space between date and time).

Time stamp for predefined waveforms is null string ("").

Group Waveform

Syntax	WLISt:WAVEform:TSTamp? <wfm_name>
Related Commands	None
Arguments	<wfm_name>::=<string>
Returns	<p>“yyyy/mm/dd hh:mm:ss” is the waveform time stamp.</p> <p>Where</p> <p>yyyy refers to a four-digit year number mm refers to two-digit month number from 01 to 12</p> <p>dd refers to two-digit day number in the month</p> <p>hh refers to two-digit hour number mm refers to two-digit minute number</p> <p>ss refers to two-digit second number</p>
Examples	<p>WLISt:WAVEFORM:TSTAMP? “Sine” will return the date and time the “Sine” waveform was created or last modified.</p> <p>WLISt:WAVEFORM:TSTAMP? “*DC” will return “” because “*DC” is a predefined waveform.</p>

WLISt:WAVEform:TYPE? (Query Only)

This query returns the type of the waveform.

Group	Waveform
Syntax	WLISt:WAVEform:TYPE? <wfm_name>
Related Commands	WLISt:WAVEform:NEW
Arguments	<wfm_name>::=<string>
Returns	INT REAL
Examples	WLISt:WAVEFORM:TYPE? “*Ramp1000” will return REAL.

Status and Events

Status and Event Reporting

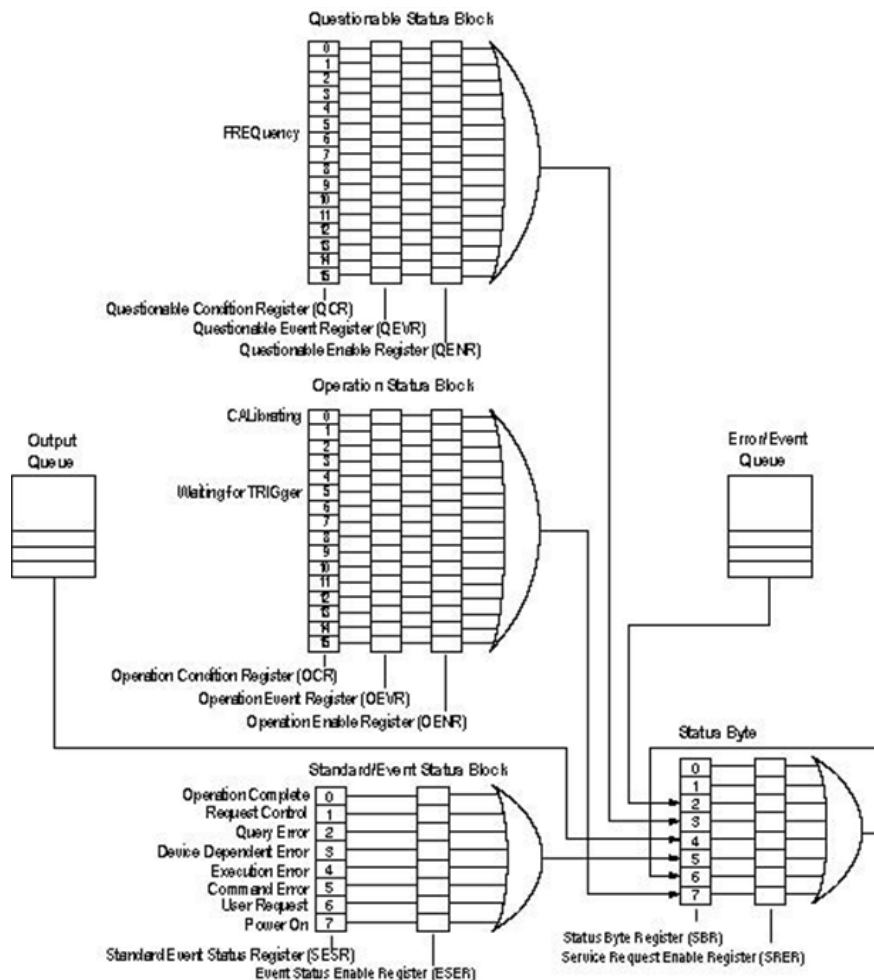
Status Reporting Structure

The arbitrary waveform generator status reporting functions conform to IEEE-488.2 and SCPI standards. Use the status reporting function to check for instrument errors and to identify the types of events that have occurred on the instrument.

The status reporting function is separated into three functional blocks:

- Standard/Event Status
- Operation Status
- Questionable Status

The operations processed in these three blocks are summarized in status bytes, which provide the error and event data. The following figure is a diagram of the instrument's status reporting function.



Registers

There are two main types of registers:

- Status Registers: store data relating to instrument status. These registers are set by the arbitrary waveform generator.
- Enable Registers: determine whether to set events that occur in the instrument to the appropriate bits in the status registers and event queues. You can set this register.

Status Registers

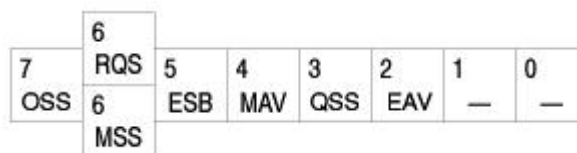
There are six types of status registers:

- Status Byte Register (SBR)
- Standard Event Status Register (SESR)
- Operation Condition Register (OCR)
- Operation Event Register (OEVR)
- Questionable Condition Register (QCR)

Status Byte Register (SBR)

The Status Byte Register (SBR) is made up of 8 bits. Bits 4, 5 and 6 are defined in accordance with IEEE Std 488.2-1987 (see the following figure and table). These bits are used to monitor the output queue, SESR, and service requests. The contents of this register are returned when the *STB? query is used.

The following figure shows the bit values of the SBR.



The following table lists the SBR bit functions.

Table 3-1: SBR bit functions

Bit	Function
7	Operation Summary Status (OSS).
6	RQS (Request Service)/MSS (Master Summary Status). When the instrument is accessed using the GPIB serial poll command, this bit is called the Request Service (RQS) bit and indicates to the controller that a service request has occurred (that the GPIB bus SRQ is LOW). The RQS bit is cleared when the serial poll ends. When the instrument is accessed using the *STB? query, this bit is called the Master Summary Status (MSS) bit and indicates that the instrument has issued a service request for one or more reasons. The MSS bit is never cleared to 0 by the *STB? query.
5	Event Status Bit (ESB). This bit indicates whether or not a new event has occurred after the previous Standard Event Status Register (SESR) has been cleared or after an event readout has been performed.
4	Message Available Bit (MAV). This bit indicates that a message has been placed in the output queue and can be retrieved.
3	Questionable Summary Status (QSS)

Table 3-1: SBR bit functions (cont.)

Bit	Function
2	Event Queue Available (EAV)
1-0	Not used

Standard Event Status Register (SESR)

The Standard Event Status Register (SESR) is made up of 8 bits. Each bit records the occurrence of a different type of event, shown in following figure. The contents of this register are returned when the *ESR? query is used.

The following figure shows the bit values of the SESR.

7	6	5	4	3	2	1	0
PON	—	CME	EXE	DDE	QYE	—	OPC

The following table lists the SESR bit functions.

Table 3-2: SESR bit functions

Bit	Function
7	Power On (PON). Indicates that the power to the instrument is on.
6	Not used.
5	Command Error (CME). Indicates that a command error has occurred while parsing was in progress.
4	Execution Error (EXE). Indicates that an error occurred during the execution of a command. Execution errors occur for one of the following reasons: <ul style="list-style-type: none"> ■ A value designated in the argument is outside the allowable range of the instrument, or is in conflict with the instrument’s capabilities. ■ The conditions for execution differed from those essentially required.
3	Device Specific Error (DDE). An instrument error has been detected.
2	Query Error (QYE). Indicates that a query error has been detected by the output queue controller. Query errors occur for one of the following reasons: <ul style="list-style-type: none"> ■ An attempt was made to retrieve messages from the output queue though the output queue is empty or in pending status. ■ The output queue messages have been cleared though they have not been retrieved.
1	Not used
0	Operation Complete (OPC). This bit is set with the results of the execution of the *OPC command. It indicates that all pending operations have been completed.

Operation Enable Register (OENR)

None of the bits in the Operation Enable Register are used.

Operation Condition Register (OCR)

None of the bits in the Operation Condition Register are used.

Operation Event Register (OEVR)

None of the bits in the Operation Event Register are used.

Questionable Condition Register (QCR)

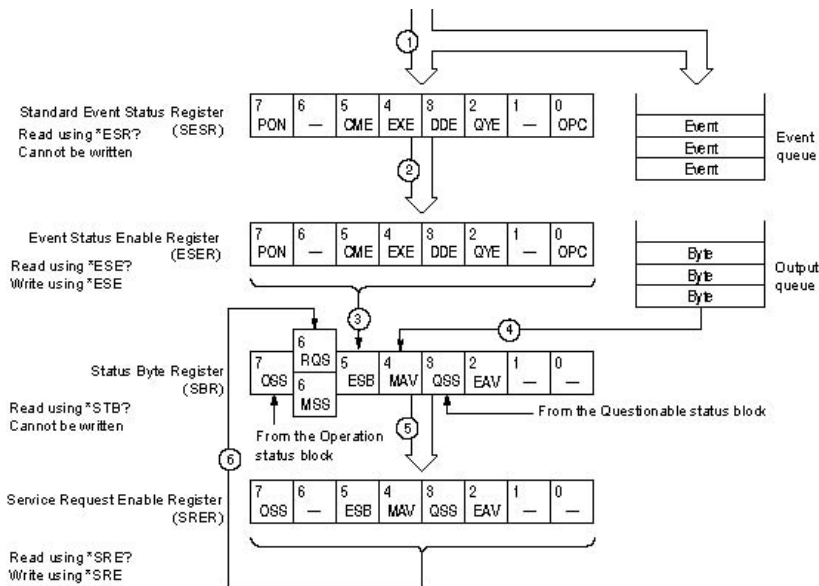
None of the bits in the Questionable Condition Register are used.

Enable Registers

There are four types of enable registers:

- Event Status Enable Register (ESER)
- Service Request Enable Register (SRER)
- Operation Enable Register (OENR)
- Questionable Enable Register (QENR)

Each bit in the enable registers corresponds to a bit in the controlling status register. By setting and resetting the bits in the enable register, you can determine whether or not events that occur will be registered to the status register and queue.



Event Status Enable Register (ESER)

The ESER is made up of bits defined exactly the same as bits 0 through 7 in the SESR. You can use this register to designate whether or not the SBR ESB bit should be set when an event has occurred, and to determine if the corresponding SESR bit is set.

To set the SBR ESB bit (when the SESR bit has been set), set the ESER bit corresponding to that event. To prevent the ESB bit from being set, reset the ESER bit corresponding to that event.

Use the *ESE command to set the bits of the ESER. Use the *ESE? query to read the contents of the ESER.

7	6	5	4	3	2	1	0
PON	—	CME	EXE	DDE	QYE	—	OPC

Service Request Enable Register (SRER)

The SRER is made up of bits defined exactly the same as bits 0 through 7 in the SBR. You can use this register to define which events will generate service requests.

The SRER bit 6 cannot be set. Also, the RQS is not maskable.

The generation of a service request with the GPIB interface involves changing the SRQ line to LOW, and making a service request to the controller. The result is that a status byte for which an RQS has been set is returned in response to serial polling by the controller.

Use the `*SRE` command to set the bits of the SRER. Use the `*SRE?` query to read the contents of the SRER. Bit 6 must be set to 0.

7	6	5	4	3	2	1	0
OSS	—	ESB	MAV	QSS	EAV	—	—

Questionable Enable Register (QENR)

None of the bits in the Questionable Enable Register are used.

Queues

There are two types of queues in the status reporting system: output queues and error/event queues.

Output Queue

The output queue is a FIFO (first-in, first-out) queue that holds response messages to queries awaiting retrieval. When there are messages in the queue, the SBR MAV bit is set.

The output queue is emptied each time a command or query is received, so the controller must read the output queue before the next command or query is issued. If this is not done, an error occurs and the output queue is emptied; however, the operation proceeds even if an error occurs.

Error/Event Queue

The event queue is a FIFO queue, which stores events as they occur in the instrument. If more than 100 events are stored, the 100th event is replaced with event code –350 (“Queue Overflow”).

The oldest error code and text are retrieved by using one of the following queries:

```
SYSTem:ERRor[:NEXT]?
```

First, issue the `*ESR?` query to read the contents of the SESR. The contents of the SESR are cleared after they are read. If an SESR bit is set, events are stacked in the Error/Event Queue. Retrieve the event code with the following command sequence:

```
*ESR?
```

```
SYSTem:ERRor[:NEXT]?
```

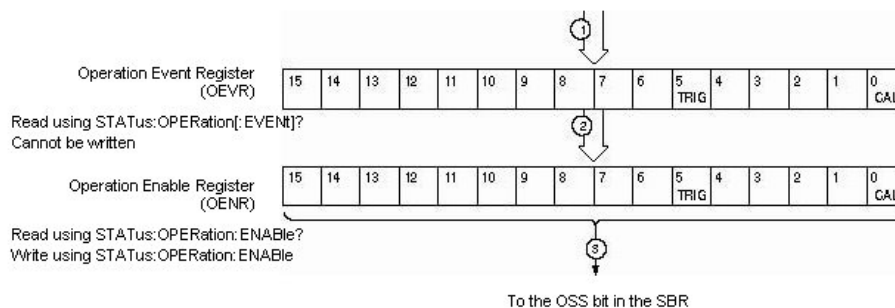
If you omit the `*ESR?` query, the SESR bit will remain set, even if the event disappears from the Error/Event Queue.

Operation Status Block

This block is used to report on the status of several operations being executed by the arbitrary waveform generator. The block is made up of three registers: the Operation Condition Register (OCR), the Operation Event Register (OEVR) and the Operation Enable Register (OENR). Refer to the Operation Status Block shown in the figure in section Status Reporting Structure.

When the instrument achieves a certain status, the corresponding bit is set to the OCR. You cannot write to this register. OCR bits that have changed from false (reset) to true (set) status are set in the OEVR. The function of the OENR is to mask the OEVR. You can set this mask and take AND with the OEVR to determine whether or not the OSS bit in the Status Byte Register (SBR) should be set.

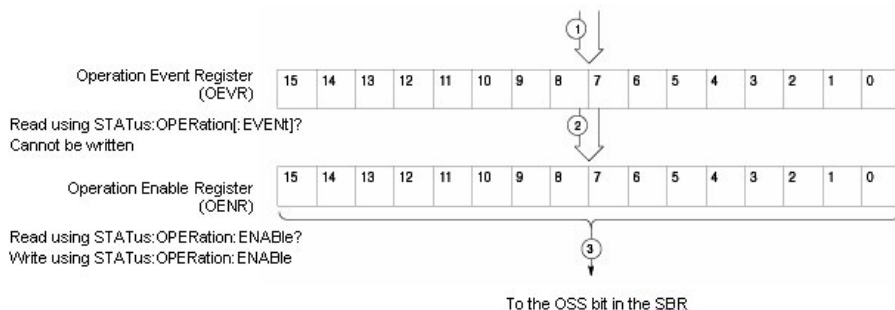
As shown in the following figure, a signal is sent to the OEVR (1) when an event occurs. If the corresponding bit in the OENR is also enabled (2), the OSS bit in the SBR is set to one (3).



Questionable Status Block

This block reports on the status of signals and data, such as the accuracy of entered data and signals generated by the instrument. The register configuration and process flow are the same as for the Questionable Status Block.

As shown in the following figure, when an event occurs, a signal is sent to the QEVR (1). If the corresponding bit in the QENR is also enabled (2), the QSS bit in the SBR is set to one (3).



Standard/Event Status Block

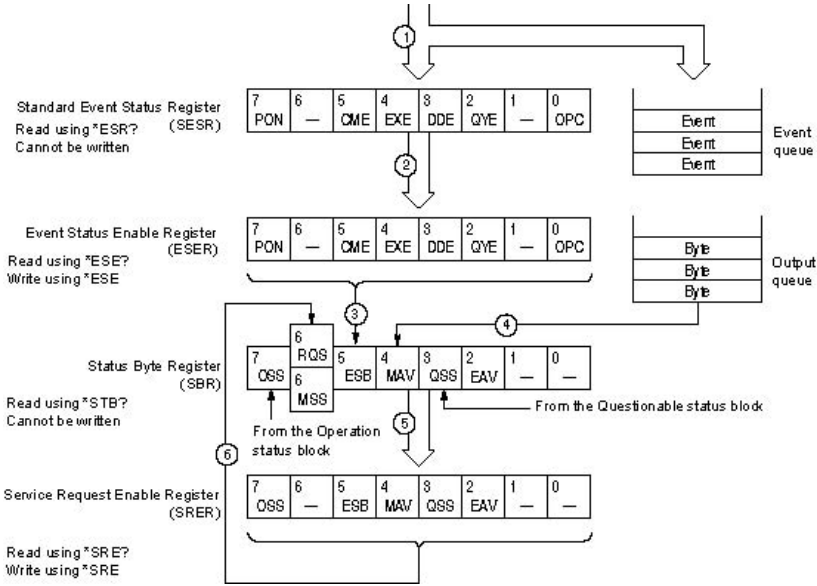
This block is used to report power on/off, command error, and command execution status. The block has two registers: the Standard Event Status Register (SESR) and the Event Status Enable Register (ESER). Refer to the Standard/Event Status Block shown in the figure in section Status Reporting Structure.

The SESR is an eight-bit status register. When an error or other type of event occurs on the instrument, the corresponding bit is set. You cannot write to this register. The ESER is an eight-bit enable register that masks the SESR. You can set this mask, and take AND with the SESR to determine whether or not the ESB bit in the Status Byte Register (SBR) should be set.

As shown in the following figure, when an event occurs, a signal is sent to the SESR and the event is recorded in the Event Queue (1). If the corresponding bit in the ESER is also enabled (2), the ESB bit in the SBR is set to one (3).

When output is sent to the Output Queue, the MAV bit in the SBR is set to one (4).

When a bit in the SBR is set to one and the corresponding bit in the SRER is enabled (5), the MSS bit in the SBR is set to one and a service request is generated (6).



Synchronizing Execution

All commands used in the arbitrary waveform generator are designed to be executed in the order in which they are sent from the external controller. The following synchronization commands are included to ensure compliance with the SCPI standard.

- *WAI
- *OPC
- *OPC?

Messages and Codes

Messages and Codes

Error and event codes with negative values are SCPI standard codes. Error and event codes with positive values are unique to the arbitrary waveform generator series number.

The following table lists event code definitions. When an error occurs, you can find its error class by checking for the code range in tables that are organized by event class.

Table 3-3: Definition of event codes

Event class	Code range	Description
No error	0	No event or status
Command errors	-100 to -199	Command syntax errors
Execution errors	-200 to -299	Command execution errors
Device-specific errors	-300 to -399	Internal device errors/cell
Query errors	-400 to -499	System event and query errors
Power-on events	-500 to -599	Power-on events
User request events	-600 to -699	User request events
Request control events	-700 to -799	Request control events
Operation complete events	-800 to -899	Operation complete events
Extended device-specific errors	1 to 32767	Device dependent device errors
Reserved	other than those listed above	Not used

Other error messages include:

Table 3-4: Other error codes and messages

Error code range	Operation
3000	Sequence editing
4000	Waveform editing
5000	Sequence/Waveform loading

Table 3-4: Other error codes and messages (cont.)

Error code range	Operation
6000	Other
8000	Hardware

Command Errors

Command errors are returned when there is a syntax error in the command.

Table 3-5: Command errors

Error code	Error message
-100	Command error
-101	Invalid character
-102	Syntax error
-103	Invalid separator
-104	Data type error
-105	GET not allowed
-108	Parameter not allowed
-109	Missing parameter
-110	Command header error
-111	Header separator error
-112	Program mnemonic too long
-113	Undefined error
-114	Header suffix out of range
-115	Unexpected number of parameters
-120	Numeric data error
-121	Invalid character in number
-123	Exponent too large
-124	Too many digits
-128	Numeric data not allowed
-130	Suffix error
-131	Invalid suffix
-134	Suffix too long
-138	Suffix not allowed
-140	Character data error
-141	Invalid character data
-144	Character data too long
-148	Character data not allowed

Table 3-5: Command errors (cont.)

Error code	Error message
-150	String data error
-151	Invalid string data
-158	String data not allowed
-160	Block data error
-161	Invalid block data
-168	Block data not allowed
-170	Expression error
-171	Invalid expression
-178	Expression data not allowed
-180	Macro error
-181	Invalid outside macro definition
-183	Invalid inside macro definition
-184	Macro parameter error

Execution errors

These error codes are returned when an error is detected during command execution.

Table 3-6: Execution errors

Error code	Error message
-200	Execution error
-201	Invalid while in local
-202	Settings lost due to rtl
-203	Command protected
-210	Trigger error
-211	Trigger ignored
-212	Arm ignored
-213	Init ignored
-214	Trigger deadlock
-215	Arm deadlock
-220	Parameter error
-221	Settings conflict
-222	Data out of range
-223	Too much data
-224	Illegal parameter value
-225	Out of memory

Table 3-6: Execution errors (cont.)

Error code	Error message
-226	Lists not same length
-230	Data corrupt or stale
-231	Data questionable
-232	Invalid format
-233	Invalid version
-240	Hardware error
-241	Hardware missing
-250	Mass storage error
-251	Missing mass storage
-252	Missing media
-253	Corrupt media
-254	Media full
-255	Directory full
-256	File name not found
-257	File name error
-258	Media protected
-260	Expression error
-261	Math error in expression
-270	Macro error
-271	Macro syntax error
-272	Macro execution error
-273	Illegal macro label
-274	Macro parameter error
-275	Macro definition too long
-276	Macro recursion error
-277	Macro redefinition not allowed
-278	Macro header not found
-280	Program error
-281	Cannot create program
-282	Illegal program name
-283	Illegal variable name
-284	Program currently running
-285	Program syntax error
-286	Program runtime error
-290	Memory use error
-291	Out of memory
-292	Referenced name does not exist

Table 3-6: Execution errors (cont.)

Error code	Error message
-293	Referenced name already exists
-294	Incompatible type

Device-specific Errors

These error codes are returned when an internal instrument error is detected. This type of error can indicate a hardware problem.

Table 3-7: Device-specific errors

Error code	Error message
-300	Device-specific error
-310	System error
-311	Memory error
-312	PUD memory lost
-313	Calibration memory lost
-314	Save/recall memory lost
-315	Configuration memory lost
-320	Storage fault
-321	Out of memory
-330	Self-test failed
-340	Calibration failed
-350	Queue overflow
-360	Communication error
-361	Parity error in program message
-362	Framing error in program message
-363	Input buffer overrun
-365	Time out error

Query Errors

Table 3-8: Query errors

Error code	Error message
-400	Query error
-410	Query INTERRUPTED
-420	Query UNTERMINATED

Table 3-8: Query errors (cont.)

Error code	Error message
-430	Query DEADLOCKED
-440	Query UNTERMINATED after indefinite response

Power On Event

Table 3-9: Power-On event

Error code	Error message
-500	Power on

User request Event

Table 3-10: User request event

Error code	Error message
-600	User request

Request Control Event

Table 3-11: Request control event

Error code	Error message
-700	Request control

Operation Complete Event

Table 3-12: Operation complete event

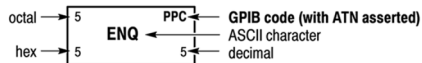
Error code	Error message
-800	Operation complete

Appendices

Appendix A: Character Charts

B7 B6 BITS B4 B3 B2 B1	0 0 0		0 0 1		0 1 0		0 1 1		1 0 0		1 0 1		1 1 0		1 1 1	
	CONTROL				NUMBERS SYMBOLS				UPPER CASE				LOWER CASE			
0 0 0 0	0 NUL	20 DLE	40 SP	60 0	100 @	120 P	140 '	160 p	0 0	20 LA0	40 LA16	100 TA0	120 TA16	140 SA0	160 SA16	
0 0 0 1	1 SOH	21 DC1	41 !	61 1	101 A	121 Q	141 a	161 q	1 1	21 LL0	41 LA1	101 TA1	121 TA17	141 SA1	161 SA17	
0 0 1 0	2 STX	22 DC2	42 "	62 2	102 B	122 R	142 b	162 r	2 2	22 LA2	42 LA18	102 TA2	122 TA18	142 SA2	162 SA18	
0 0 1 1	3 ETX	23 DC3	43 #	63 3	103 C	123 S	143 c	163 s	3 3	23 LA3	43 LA19	103 TA3	123 TA19	143 SA3	163 SA19	
0 1 0 0	4 EOT	24 DCL	44 \$	64 4	104 D	124 T	144 d	164 t	4 4	24 LA4	44 LA20	104 TA4	124 TA20	144 SA4	164 SA20	
0 1 0 1	5 ENQ	25 NAK	45 %	65 5	105 E	125 U	145 e	165 u	5 5	25 PPU	45 LA5	105 TA5	125 TA21	145 SA5	165 SA21	
0 1 1 0	6 ACK	26 SYN	46 &	66 6	106 F	126 V	146 f	166 v	6 6	26 LA6	46 LA22	106 TA6	126 TA22	146 SA6	166 SA22	
0 1 1 1	7 BEL	27 ETB	47 '	67 7	107 G	127 W	147 g	167 w	7 7	27 LA7	47 LA23	107 TA7	127 TA23	147 SA7	167 SA23	
1 0 0 0	8 BS	30 CAN	50 (70 8	110 H	130 X	150 h	170 x	8 8	30 SPE	50 LA8	110 TA8	130 TA24	150 SA8	170 SA24	
1 0 0 1	9 HT	31 EM	51)	71 9	111 I	131 Y	151 i	171 y	9 9	31 SPD	51 LA9	111 TA9	131 TA25	151 SA9	171 SA25	
1 0 1 0	10 LF	32 SUB	52 *	72 :	112 J	132 Z	152 j	172 z	10 A	32 LA10	52 LA26	112 TA10	132 TA26	152 SA10	172 SA26	
1 0 1 1	11 VT	33 ESC	53 +	73 ;	113 K	133 [153 k	173 {	11 B	33 LA11	53 LA27	113 TA11	133 TA27	153 SA11	173 SA27	
1 1 0 0	12 FF	34 FS	54 ,	74 <	114 L	134 \	154 l	174 	12 C	34 LA12	54 LA28	114 TA12	134 TA28	154 SA12	174 SA28	
1 1 0 1	13 CR	35 GS	55 -	75 =	115 M	135]	155 m	175 }	13 D	35 LA13	55 LA29	115 TA13	135 TA29	155 SA13	175 SA29	
1 1 1 0	14 SO	36 RS	56 .	76 >	116 N	136 ^	156 n	176 ~	14 E	36 LA14	56 LA30	116 TA14	136 TA30	156 SA14	176 SA30	
1 1 1 1	15 SI	37 US	57 /	77 ?	117 O	137 _	157 o	177 RUBOUT (DEL)	15 F	37 LA15	57 UNL	117 TA15	137 UNT	157 SA15	177 7F 127	
	ADDRESSED COMMANDS		UNIVERSAL COMMANDS		LISTEN ADDRESSES		TALK ADDRESSES		SECONDARY ADDRESSES OR COMMANDS							

KEY



Tektronix
 REF: ANSI STD X3.4-1977
 IEEE STD 488.1-1987
 ISO STD 646-2973

Appendix B: GPIB Interface Specifications

GPIB Interface Specifications

This appendix lists and describes the GPIB functions and messages that the arbitrary waveform generator implements.

Interface Functions

Interface Messages

Interface Functions

The following table lists the GPIB interface functions this instrument implements. Each function is briefly described.

Table B-1: GPIB interface function implementation

Interface function	Implemented subset	Capability	Description
Acceptor Handshake (AH)	AH1	Complete	Enables a listening device to coordinate data reception. The AH function delays data transfer initiation or termination until the listening device is ready to receive the next data byte.
Source Handshake (SH)	SH1	Complete	Enables a talking device to support the coordination of data transfer. The SH function controls the initiation and termination of data byte transfers.
Talker (T)	T6	Basic Talker, Serial Poll Unaddress if my-listen-address (MLA) No Talk Only mode	Enables a device to send device-dependent data over the interface. This capability is available only when the device is addressed to talk, and uses a one-byte address.

Table B-1: GPIB interface function implementation (cont.)

Interface function	Implemented subset	Capability	Description
Listener (L)	L4	Basic Listener Unaddress if my-talk-address (MTA) No Listen Only mode	Enables a device to receive device-dependent data over the interface. This capability is available only when the device is addressed to listen, and uses a one-byte address.
Service Request (SR)	SR1	Complete	Enables a device to request service from the controller.
Remote/Local (RL)	RL1	Complete	Enables a device to select between one of two sources for arbitrary waveform generator control. It determines whether input information is controlled from the front panel (local control) or by GPIB commands (remote control).
Parallel Poll (PL)	PP0	None	-
Device Clear (DC)	DC1	Complete	Enables a device to be cleared or initialized, either individually, or as part of a group of devices.
Device Trigger (DT)	DT1	Complete	-

Table B-1: GPIB interface function implementation (cont.)

Interface function	Implemented subset	Capability	Description
Controller (C)	C0	None	Enables a device that has this capability to send its address, universal commands, and addressed commands to other devices over the interface.
Electrical Interface	E2	Three-state driver	Identifies the electrical interface driver type. The notation E1 means the electrical interface uses open collector drivers, E2 means the electrical interface uses three-state drivers.

Interface Messages

The following table lists the standard interface messages the arbitrary waveform generator supports. Each function is briefly described.

Table B-2: AWG standard interface messages

Message	GPIB	Description
DCL	Yes	Device Clear (DCL). Will clear (initialize) all devices on the bus that have a device clear function, whether or not the controller has addressed them.
GET	Yes	Group Execute Trigger (GET). Triggers all applicable devices and causes them to initiate their programmed actions.
GTL	Yes	Go To Local (GTL). Causes the listen-addressed device to switch from remote to local (front-panel) control.
LLO	Yes	Local Lockout (LLO). Disables the return to local function.

Table B-2: AWG standard interface messages (cont.)

Message	GPIB	Description
PPC	No	Parallel Poll Configure (PPC). Causes the listen-addressed device to respond to the secondary commands Parallel Poll Enable (PPE) and Parallel Poll Disable (PPD), which are placed on the bus following the PPC command. PPE enables a device with parallel poll capability to respond on a particular data line. PPD disables the device from responding to the parallel poll.
PPD	No	
PPE	No	
PPU	No	
SDC	Yes	Select Device Clear (SDC). Clears or initializes all listen-addressed devices.
SPD	Yes	
SPE	Yes	Serial Poll Enable (SPE). Puts all bus devices that have a service request function into the serial poll enabled state. In this state, each device sends the controller its status byte, instead of its normal output, after the device receives its talk address on the data lines. This function may be used to determine which device sent a service request.
TCT	No	Take Control (TCT). Allows the controller in charge to pass control of the bus to another controller on the bus.
UNL	Yes	-
UNT	Yes	-
Listen Addresses	Yes	-
Talk Addresses	Yes	-

Appendix C: SCPI Conformance Information

All commands in the arbitrary waveform generator are based on SCPI Version 1999.0. The following tables list the SCPI commands this arbitrary waveform generator supports.

Group	Command	Defined in SCPI 1999.0	Not defined SCPI 1999.0
AWGControl			
	AWGControl:CLOCK:DRate(?)		√
	AWGControl:CLOCK:PHASE:ADJust		√
	AWGControl:CLOCK:SOURce(?)		√
	AWGControl:CONFigure:CNUMBER?		√
	AWGControl:DC[n]:VOLTage[LEVel]:IMMediate:OFFSet(?)		√
	AWGControl:DC[n]:STATE[?]		√
	AWGControl:DOUTput[n]:STATE[?]		√
	AWGControl:EVENT:SOFTware:IMMediate		√
	AWGControl:INTerleave:ADJustment:AMPLitude		√
	AWGControl:INTerleave:ADJustment:PHASE		√
	AWGControl:INTerleave:ZERoing(?)		√
	AWGControl:INTerleave:STATE[?]		√
	AWGControl:RMODE[?]		√
	AWGControl:RRATE[?]		√
	AWGControl:RRATE:HOLD[?]		√
	AWGControl:RSTate?		√
	AWGControl:RUN[IMMediate]		√
	AWGControl:SEQuencer:POStion?		√
	AWGControl:SEQuencer:TYPE?		√
	AWGControl:SNAME?		√
	AWGControl:SREStore		√
	AWGControl:SSAVe		√
	AWGControl:STOP[IMMediate]		√
Calibration			
	*CAL?	√	
	CALibration[:ALL][?]	√	
Diagnostic			
	*TST?	√	
	DIAGnosite:DATA?		√
	DIAGnosite[:IMMediate][?]		√
	DIAGnosite:SElect[?]		√
Display			
	DISPlay[:WINDow[12]][:STATE] <state> [?]	√	
Event			
	EVENT[:IMMediate]		√
	EVENT:IMPedance[?]		√
	EVENT:JTIming [?]		√
	EVENT:LEVel[?]		√
	EVENT:POLarity[?]		√
Instrument			
	INSTRument:COUPle:SOURce[?]	√	
Mass Memory			
	MMEMory:CATalog?	√	
	MMEMory:CDIRectory[?]	√	
	MMEMory:DATA[?]	√	
	MMEMory:DElete	√	
	MMEMory:IMPort		√
	MMEMory:IMPort:PARAmeter:FREQuency[:UPDate]:STATE[?]		√
	MMEMory:IMPort:PARAmeter:LEVel[:UPDate]:CHANnel[?]		√
	MMEMory:IMPort:PARAmeter:LEVel[:UPDate]:STATE[?]		√
	MMEMory:IMPort:PARAmeter:NORMAlize[?]		√
	MMEMory:MDIRectory		√
	MMEMory:MSIS[?]	√	

Group	Command	Defined in SCPI 1999.0	Not defined SCPI 1999.0
Output			
	OUTPut[n]:FILTer[:LPASs]:FREQuency(?)	√	
	OUTPut[n]::STATe(?)	√	
Sequence			
	SEQuence:ELEMent[n]:GOTO:INDex(?)		√
	SEQuence:ELEMent[n]:GOTO:STATe(?)		√
	SEQuence:ELEMent[n]:JTAGget:INDex(?)		√
	SEQuence:ELEMent[n]:JTAGget:TYPE(?)		√
	SEQuence:ELEMent[n]:LOOP:COUNT(?)		√
	SEQuence:ELEMent[n]:LOOP:INFinite(?)		√
	SEQuence:ELEMent[n]:TWAIT(?)		√
	SEQuence:ELEMent[n]:WAVEform[n](?)		√
	SEQuence:JUMP[:IMMEDIATE] <target>		√
	SEQuence:LENGth(?)		√
Source			
	[SOURce[]]:FREQuency[:Cw]::FIXed(?)	√	
	[SOURce[]]:ROSCillator:FREQuency(?)		√
	[SOURce[]]:ROSCillator:MULTiplier(?)		√
	[SOURce[]]:ROSCillator:SOURce(?)	√	
	[SOURce[]]:ROSCillator:TYPE(?)		√
	[SOURce[n]]:DAC:RESolution(?)		√
	[SOURce[n]]:FUNction:USER(?)		√
	[SOURce[n]]:COMBine:FEED(?)	√	
	[SOURce[n]]:MARKer[12]:DELay(?)		√
	[SOURce[n]]:DELay[:ADJust](?)		√
	[SOURce[n]]:DELay:POINts(?)		√
	[SOURce[n]]:DIGital:VOLTage[:LEVel][:IMMEDIATE][:AMPLitude](?)		√
	[SOURce[n]]:DIGital:VOLTage[:LEVel][:IMMEDIATE]:HIGH(?)		√
	[SOURce[n]]:DIGital:VOLTage[:LEVel][:IMMEDIATE]:LOW(?)		√
	[SOURce[n]]:DIGital:VOLTage[:LEVel][:IMMEDIATE]:OFFSet(?)		√
	[SOURce[n]]:MARKer[12]:VOLTage[:LEVel][:IMMEDIATE][:AMPLitude](?)		√
	[SOURce[n]]:MARKer[12]:VOLTage[:LEVel][:IMMEDIATE]:HIGH(?)		√
	[SOURce[n]]:MARKer[12]:VOLTage[:LEVel][:IMMEDIATE]:LOW(?)		√
	[SOURce[n]]:MARKer[12]:VOLTage[:LEVel][:IMMEDIATE]:OFFSet(?)		√
	[SOURce[n]]:PDELay:HOLD(?)		√
	[SOURce[n]]:PHASe[:ADJust](?)	√	
	[SOURce[n]]:SKEW(?)		√
	[SOURce[n]]:VOLTage[:LEVel][:IMMEDIATE][:AMPLitude](?)		√
	[SOURce[n]]:VOLTage[:LEVel][:IMMEDIATE]:HIGH(?)	√	
	[SOURce[n]]:VOLTage[:LEVel][:IMMEDIATE]:LOW(?)	√	
	[SOURce[n]]:VOLTage[:LEVel][:IMMEDIATE]:OFFSet(?)	√	
	[SOURce[n]]:WAVEform(?)		
Status			
	*CLS	√	
	*ESE(?)	√	
	*ESR?	√	
	*SRE(?)	√	
	*STB?	√	
	STATus:OPERation:CONDition?	√	
	STATus:OPERation:ENABle(?)	√	
	STATus:OPERation[:EVENt]?	√	
	STATus:PRESet	√	
	STATus:QUEStionable:CONDition?	√	
	STATus:QUEStionable:ENABle(?)	√	
	STATus:QUEStionable[:EVENt]?	√	

Group	Command	Defined in SCPI 1999.0	Not defined SCPI 1999.0
Synchronization			
	*OPC(?)	√	
	*wAI	√	
System			
	*IDN?	√	
	*OPT?	√	
	*RST	√	
	SYSTem:DATE(?)	√	
	SYSTem:ERRor:NEXT?	√	
	SYSTem:KLOCK(?)	√	
	SYSTem:TIME(?)	√	
	SYSTem:VERsion?	√	
Trigger			
	*TRG	√	
	ABORt	√	
	TRIGger:SEQuence[:IMMediate]	√	
	TRIGger:SEQuence[:IMPedance(?)		√
	TRIGger:SEQuence[:LEVel(?)	√	
	TRIGger:SEQuence[:MODE		√
	TRIGger:SEQuence[:POLarity(?)		√
	TRIGger:SEQuence[:SLOPe(?)	√	
	TRIGger:SEQuence[:SOURce(?)	√	
	TRIGger:SEQuence[:TIMer(?)	√	
	TRIGger:SEQuence[:wVALue (?)		√
Waveform			
	wLIST:NAME?		√
	wLIST:SIZE?		√
	wLIST:wAVeform:DATA(?)		√
	wLIST:wAVeform:DELEte		√
	wLIST:wAVeform:LENGth?		√
	wLIST:wAVeform:MARKer:DATA(?)		√
	wLIST:wAVeform:NEw		√
	wLIST:wAVeform:PREDeFined?		√
	wLIST:wAVeform:TSTamp?		√
	wLIST:wAVeform:TYPE?		√

Appendix D: Raw Socket Specification

TCP/IP is used as the network protocol, and the port number is variable. Commands can be sent from the application program through the TCP/IP socket interface, and queries can be received through the interface. The following lists the differences between the GPIB interface and the Raw Socket interface.

- The Line Feed (LF) code is needed as a terminator at the end of a message.
- The IEEE 488.1 standard (for example, Device Clear or Service Request) is not supported.
- The Message Exchange Control Protocol in the IEEE 488.2 is not supported. However, common commands such as *ESE and the event handling features are supported.
- The Indefinite format (the block start at #0) in the <ARBITRARY BLOCK PROGRAM DATA> of the IEEE 488.2 is not supported.

Appendix E: Factory Initialization Settings

The following tables list the default settings for the each command.

Group	Command	Default setting
AWGControl		
	AWGControl:CLOCK:DRATE(?)	1 (AWG7121B/AWG7122B and AWG5012B/AWG5014B) 2 (AWG7061B/AWG7062B and AWG5002B/AWG5004B)
	AWGControl:CLOCK:PHASE[:ADJUST]	0 degree
	AWGControl:CLOCK:SOURCE(?)	INTERNAL
	AWGControl:CONFIGURE:CNUMBER?	1,2 or 4
	AWGControl:DC[n]:VOLTAGE[:LEVEL][:IMMEDIATE]:OFFSET(?)	0 V
	AWGControl:DC[n]:STATE(?)	0
	AWGControl:DOOUTPUT[n]:STATE[:?]	0
	AWGControl:EVENT:SOFTWARE[:IMMEDIATE]	NA
	AWGControl:INTERLEAVE:ADJUSTMENT:AMPLITUDE	0 Vpp
	AWGControl:INTERLEAVE:ADJUSTMENT:PHASE	0 degree
	AWGControl:INTERLEAVE:ZEROING(?)	0
	AWGControl:INTERLEAVE:STATE[:?]	0
	AWGControl:RMODE(?)	CONTINUOUS
	AWGControl:RRATE(?)	10 MHz
	AWGControl:RRATE:HOLD(?)	0
	AWGControl:RSTATE?	0
	AWGControl:RUN[:IMMEDIATE]	NA
	AWGControl:SEQUENCER:POSITION?	1
	AWGControl:SEQUENCER:TYPE?	HARDWARE
	AWGControl:SNAME?	">C:"
	AWGControl:SRESTORE	NA
	AWGControl:SSAVE	NA
	AWGControl:STOP[:IMMEDIATE]	NA
Calibration		
	*CAL?	NA
	CALIBRATION[:ALL] (?)	NA
Diagnostic		
	*TST?	NA
	DIAGNOSTIC:DATA?	NA
	DIAGNOSTIC[:IMMEDIATE] (?)	NA
	DIAGNOSTIC:SELECT(?)	ALL
Display		
	DISPLAY[:WINDOW[1 2]][:STATE] (?)	1
Event		
	EVENT[:IMMEDIATE]	NA
	EVENT:IMPEDANCE(?)	1e3 ohm
	EVENT:TIMING (?)	ASYNCHRONOUS
	EVENT:LEVEL(?)	1.4 V
	EVENT:POLARITY(?)	POSITIVE
Instrument		
	INSTRUMENT:COUPLE:SOURCE(?)	NONE
Mass Memory		
	MMEMORY:CATALOG?	NA
	MMEMORY:CDIRECTORY(?)	NA
	MMEMORY:DATA(?)	NA
	MMEMORY:DELETE	NA
	MMEMORY:IMPORT	NA
	MMEMORY:IMPORT:PARAMETER:FREQUENCY[:UPDATE] [:STATE] (?)	1
	MMEMORY:IMPORT:PARAMETER:LEVEL[:UPDATE]:CHANNEL(?)	1
	MMEMORY:IMPORT:PARAMETER:LEVEL[:UPDATE] [:STATE] (?)	1
	MMEMORY:IMPORT:PARAMETER:NORMALIZE(?)	NONE
	MMEMORY:MDIRECTORY	NA
	MMEMORY:MSIS(?)	">C:"

Group	Command	Default setting
Output		
	OUTPut[n].FILTer[.LPASs].FREQuency[?]	9.9e37 (INFinity)
	OUTPut[n][.STATe][?]	0
Sequence		
	SEQuence:ELEMent[n]:GOTO:INDex[?]	1
	SEQuence:ELEMent[n]:GOTO:STATe[?]	0
	SEQuence:ELEMent[n]:JTARget:INDex[?]	1
	SEQuence:ELEMent[n]:JTARget:TYPE[?]	OFF
	SEQuence:ELEMent[n]:LOOP:COUNT[?]	1
	SEQuence:ELEMent[n]:LOOP:INFinite[?]	0
	SEQuence:ELEMent[n]:TWAit[?]	0
	SEQuence:ELEMent[n]:WAVeform[n][?]	""
	SEQuence:JUMP[.IMMediate]	NA
	SEQuence:LENGth[?]	0
Source		
	[SOURce[1]].FREQuency[.Cw].FIXed[?]	10 GHz
	[SOURce[1]].ROSCillator:FREQuency[?]	10 MHz
	[SOURce[1]].ROSCillator:MULTiplier[?]	1
	[SOURce[1]].ROSCillator:SOURce[?]	INTernal
	[SOURce[1]].ROSCillator:TYPE[?]	FIXed
	[SOURce[n]].COMBine:FEED[?]	""
	[SOURce[n]].DAC:RESolution[?]	8
	[SOURce[n]].DELay[.ADJust][?]	0 s
	[SOURce[n]].DELay:POINts[?]	0 points
	[SOURce[n]].DIGital:VOLTage[.LEVel][.IMMediate][.AMPLitude][?]	1V (Vpp)
	[SOURce[n]].DIGital:VOLTage[.LEVel][.IMMediate]:HIGH[?]	1V
	[SOURce[n]].DIGital:VOLTage[.LEVel][.IMMediate]:LOW[?]	0 V
	[SOURce[n]].DIGital:VOLTage[.LEVel][.IMMediate]:OFFSet[?]	0.5 V
	[SOURce[n]].FUNCTION:USER[?]	"" , «C.»
	[SOURce[n]].MARKer[12]:DELay[?]	0
	[SOURce[n]].MARKer[12]:VOLTage[.LEVel][.IMMediate][.AMPLitude][?]	1V (Vpp)
	[SOURce[n]].MARKer[12]:VOLTage[.LEVel][.IMMediate]:HIGH[?]	1.0 V
	[SOURce[n]].MARKer[12]:VOLTage[.LEVel][.IMMediate]:LOW[?]	0 V
	[SOURce[n]].MARKer[12]:VOLTage[.LEVel][.IMMediate]:OFFSet[?]	0.5 V
	[SOURce[n]].PDELay:HOLD[?]	PHASe
	[SOURce[n]].PHASe[.ADJust][?]	0 degree
	[SOURce[n]].SKEW[?]	0 s
	[SOURce[n]].VOLTage[.LEVel][.IMMediate][.AMPLitude][?]	1V (Vpp)
	[SOURce[n]].VOLTage[.LEVel][.IMMediate]:HIGH[?]	0.5 V
	[SOURce[n]].VOLTage[.LEVel][.IMMediate]:LOW[?]	- 0.5 V
	[SOURce[n]].VOLTage[.LEVel][.IMMediate]:OFFSet[?]	0 V
	[SOURce[n]].WAVeform[?]	""
Group		
Command		
Default setting		
Synchronization		
	*OPC[?]	NA
	*WAI	NA
Trigger		
	*TRG	NA
	ABORt	NA
	TRIGger[.SEQuence][.IMMediate]	NA
	TRIGger[.SEQuence]:IMPedance[?]	1kOhm
	TRIGger[.SEQuence]:LEVel[?]	1.4 V
	TRIGger[.SEQuence]:MODE	ASYNchronous
	TRIGger[.SEQuence]:POLarity[?]	POSitive
	TRIGger[.SEQuence]:SLOPe[?]	POSitive
	TRIGger[.SEQuence]:SOURce[?]	EXTernal
	TRIGger[.SEQuence]:TIMER[?]	100 ms
	TRIGger[.SEQuence]:WVALue[?]	FIRSt
Waveform		
	WLIST:NAME?	NA
	WLIST:SIZE?	20
	WLIST:WAVeform:DATA[?]	NA
	WLIST:WAVeform:DELeTe	NA
	WLIST:WAVeform:LENGth?	NA
	WLIST:WAVeform:MARKer:DATA[?]	NA
	WLIST:WAVeform:NEw	NA
	WLIST:WAVeform:PREDeFined?	NA
	WLIST:WAVeform:TSTamp?	NA
	WLIST:WAVeform:TYPE?	NA

Appendix F: Compatibility with Other Instruments

The following tables list the compatibility of the commands with other Tektronix arbitrary waveform generators like the AWG400, AWG500, AWG600, and AWG700 Series.

AWG5000/AWG7000 Series Command Group	AWG400	AWG500	AWG600/700	Note
AWGControl				
AWGControl:CLOCK:DRate(?)				
AWGControl:CLOCK:PHASe[:ADJust]				
AWGControl:CLOCK:SOURce(?)	✓	✓		AWG400 / AWG500 only
AWGControl:CONFigure:CNUMber?				
AWGControl:DC[n]:STATe[?]				
AWGControl:DC[n]:VOLTage[:LEVel][:IMMediate]:OFFSet(?)				
AWGControl:DOUtpuT[n]:STATe[?]	✓	✓	✓	
AWGControl:EVENT:SOFTware[:IMMediate]	✓	✓	✓	
AWGControl:INTerleave:ADJustment:AMPLitude				
AWGControl:INTerleave:ADJustment:PHASe				
AWGControl:INTerleave[:STATe][?]				
AWGControl:INTerleave:ZEROing(?)				
AWGControl:RMODE[?]		See Note		SEQUence, instead of ENHanced
AWGControl:RRATe[?]				
AWGControl:RRATe:HOLD[?]				
AWGControl:RSTate?	✓	✓	✓	
AWGControl:RUN[:IMMediate]	✓	✓	✓	
AWGControl:SEQuencer:POStion?				
AWGControl:SEQuencer:TYPE?				
AWGControl:SNAMe?				
AWGControl:SPREStore	✓	✓	✓	
AWGControl:SSAVe	✓	✓	✓	
AWGControl:STOP[:IMMediate]	✓	✓	✓	
Calibration				
*CAL?	✓	✓	✓	
CALibration[:ALL][?]	✓	✓	✓	
Diagnostic				
*TST?	✓	✓	✓	
DIAGnoStic:DATA?	✓	✓	✓	
DIAGnoStic[:IMMediate][?]	✓	✓	✓	
DIAGnoStic:SELEct[?]		See Note		Arguments are different, except for ALL
Display				
DISPlay[:wINdow[1 2]][:STATe][?]				
Event				
EVENT[:IMMediate]				
EVENT:IMPedance[?]				
EVENT:JTIming[?]				
EVENT:LEVel[?]				
EVENT:POLarity[?]				
Instrument				
INSTrument:COUple:SOURce[?]				
Mass Memory				
MMEMory:CATalog?	✓	✓	✓	
MMEMory:CDIRectory[?]	✓	✓	✓	
MMEMory:DATA[?]	✓	✓	✓	
MMEMory:DElete	✓	✓	✓	
MMEMory:IMPort				
MMEMory:IMPort:PARAmeter:FREQuency[:UPDate][:STATe][?]				
MMEMory:IMPort:PARAmeter:LEVel[:UPDate]:CHANnel[?]				
MMEMory:IMPort:PARAmeter:LEVel[:UPDate][:STATe][?]				
MMEMory:IMPort:PARAmeter:NORMAlize[?]				
MMEMory:MDIRectory	✓	✓	✓	
MMEMory:MSIS[?]		See Note		Drive letter, instead of "MAIN" or "FLOppy"

Appendix F: Compatibility with Other Instruments

AVG5000/AVG7000 Series Command Group	AVG400	AVG500	AVG600/700	Note
Output				
OUTPut(n):FILTer[LPASs]:FREQuency(?)		See Note		Valid values depending on models
OUTPut(n):[STATe](?)	✓	✓	✓	
Sequence				
SEQuence:ELEMent(n):GOTO:INDEX(?)				
SEQuence:ELEMent(n):GOTO:STATe(?)				
SEQuence:ELEMent(n):JTARget:INDEX(?)				
SEQuence:ELEMent(n):JTARget:TYPE(?)				
SEQuence:ELEMent(n):LOOP:COUNT(?)				
SEQuence:ELEMent(n):LOOP:INFINITE(?)				
SEQuence:ELEMent(n):TWAIr(?)				
SEQuence:ELEMent(n):WAVeform(n)(?)				
SEQuence:JUMP[IMMediate] <target>				
SEQuence:LENGth(?)				
Source				
[SOURce(n)]:COMBine:FEED(?)	✓	✓		Parameter varies depending on models
[SOURce(1)]:FREQuency[CFix]:FIXed(?)	✓	✓	✓	
[SOURce(1)]:ROSCillator:FREQuency(?)				
[SOURce(1)]:ROSCillator:MULTIplier(?)				
[SOURce(1)]:ROSCillator:SOURce(?)	✓	✓	✓	
[SOURce(1)]:ROSCillator:TYPE(?)				
[SOURce(n)]:DAC:RESolution(?)				
[SOURce(n)]:DELay[:ADJust](?)				
[SOURce(n)]:DELay:POINts(?)				
[SOURce(n)]:DIGital:VOLTage[:LEVel][:IMMediate]:HIGH(?)				
[SOURce(n)]:DIGital:VOLTage[:LEVel][:IMMediate]:LOW(?)				
[SOURce(n)]:DIGital:VOLTage[:LEVel][:IMMediate]:AMPLitude[?]				
[SOURce(n)]:DIGital:VOLTage[:LEVel][:IMMediate]:OFFSet(?)				
[SOURce(n)]:ENABle(?)				
[SOURce(n)]:FUNction:USER(?)	✓	✓	✓	
[SOURce(n)]:MARKer[12]:DELay(?)	✓			AVG400 only
[SOURce(n)]:MARKer[12]:VOLTage[:LEVel][:IMMediate]:AMPLitude[?]				
[SOURce(n)]:MARKer[12]:VOLTage[:LEVel][:IMMediate]:HIGH(?)	✓			AVG400 only
[SOURce(n)]:MARKer[12]:VOLTage[:LEVel][:IMMediate]:LOW(?)	✓			AVG400 only
[SOURce(n)]:MARKer[12]:VOLTage[:LEVel][:IMMediate]:OFFSet(?)				
[SOURce(n)]:PDELay:HOLD(?)				
[SOURce(n)]:PHASe[:ADJust](?)				
[SOURce(n)]:SKEw(?)	✓	✓	✓	
[SOURce(n)]:VOLTage[:LEVel][:IMMediate]:AMPLitude[?]	✓	✓	✓	
[SOURce(n)]:VOLTage[:LEVel][:IMMediate]:HIGH(?)	✓	✓	✓	
[SOURce(n)]:VOLTage[:LEVel][:IMMediate]:LOW(?)	✓	✓	✓	
[SOURce(n)]:VOLTage[:LEVel][:IMMediate]:OFFSet(?)	✓	✓	✓	
[SOURce(n)]:WAVeform(?)				
Status				
*CLS	✓	✓	✓	
*ESE(?)	✓	✓	✓	
*ESR?	✓	✓	✓	
*SRE(?)	✓	✓	✓	
*STB?	✓	✓	✓	
STATus:OPERation:CONDition?	✓	✓	✓	
STATus:OPERation:ENABle(?)	✓	✓	✓	
STATus:OPERation[EVENT]?	✓	✓	✓	
STATus:PRESet	✓	✓	✓	
STATus:QUEStionable:CONDition?	✓	✓	✓	
STATus:QUEStionable:ENABle(?)	✓	✓	✓	
STATus:QUEStionable[EVENT]?	✓	✓	✓	

AWG5000/AWG7000 Series Command Group	AWG400	AWG500	AWG600/700	Note
Synchronization				
*OPC(?)	✓	✓	✓	
*WAI	✓	✓	✓	
System				
*IDN?	✓	✓	✓	
*OPT?	✓	✓	✓	
*RST	✓	✓	✓	
SYSTem:DATE(?)	✓	✓	✓	
SYSTem:ERRor[:NEXT]?	✓	✓	✓	
SYSTem:KLOCK(?)	✓	✓	✓	
SYSTem:TIME(?)	✓	✓	✓	
SYSTem:VERsion?	✓	✓	✓	
Trigger				
*TRG	✓	✓	✓	
ABORt	✓	✓	✓	
TRIGger[:SEQuence][:IMMEdiate]	✓	✓	✓	
TRIGger[:SEQuence][:IMPedance(?)	✓	✓	✓	
TRIGger[:SEQuence][:LEVel(?)	✓	✓	✓	
TRIGger[:SEQuence][:MODE]				
TRIGger[:SEQuence][:POLarity(?)	✓	✓	✓	
TRIGger[:SEQuence][:SLOPe(?)	✓	✓	✓	
TRIGger[:SEQuence][:SOURce(?)	✓	✓	✓	
TRIGger[:SEQuence][:TIMer(?)	✓	✓	✓	
TRIGger[:SEQuence][:wVALue (?)				
Waveform				
WLIST:NAME?				
WLIST:SIZE?				
WLIST:wAVeform:DATA(?)				
WLIST:wAVeform:DELeTe				
WLIST:wAVeform:LENGth?				
WLIST:wAVeform:MARKer:DATA(?)				
WLIST:wAVeform:NEw				
WLIST:wAVeform:PREDeFined?				
WLIST:wAVeform:TSTamp?				
WLIST:wAVeform:TYPE?				

Index

A

ABORt, 2-23
AWGControl:CLOCK:DRATe, 2-23
AWGControl:CLOCK:PHASe[:ADJust], 2-24
AWGControl:CLOCK:SOURce, 2-24
AWGControl:CONFigure:CNUMber?, 2-25
AWGControl:DC[n]:VOLTage[:LEVel][:IMMEDIATE]:
 OFFSet, 2-26
AWGControl:DC[n][:STATe], 2-25
AWGControl:DOUtpuT[n][:STATe], 2-27
AWGControl:EVENT:SOFTware[:IMMEDIATE], 2-27
AWGControl:INterleave:ADJustment:
 AMPLitude, 2-28
AWGControl:INterleave:ADJustment:PHASe, 2-28
AWGControl:INterleave:ZERoing, 2-30
AWGControl:INterleave[:STATe], 2-29
AWGControl:RRATe:HOLD, 2-33
AWGControl:RUN[:IMMEDIATE], 2-34
AWGControl:SEQuencer:POSition?, 2-34
AWGControl:SEQuencer:TYPE?, 2-35
AWGControl:STOP[:IMMEDIATE], 2-37
AWGControl:RMODE, 2-31
AWGControl:RRATe, 2-32
AWGControl:RSTate?, 2-33
AWGControl:SNAME?, 2-35
AWGControl:SREStore, 2-36
AWGControl:SSAVe, 2-36

C

*CAL?, 2-37
CALibration[:ALL], 2-37
*CLS, 2-38

D

DIAGnostic[:IMMEDIATE], 2-39
DIAGnostic:DATA?, 2-38
DIAGnostic:SElect, 2-40
DISPlay[:WINDow[1|2]][:STATe], 2-41

E

*ESE, 2-41
*ESR?, 2-42

EVENT[:IMMEDIATE], 2-42
EVENT:IMPedance, 2-43
EVENT:JTIMing, 2-43
EVENT:LEVel, 2-44
EVENT:POLarity, 2-44

I

*IDN?, 2-45
INSTrument:COUple:SOURce, 2-46

M

MMEMory:IMPort:PARAmeter:FREQuency[:
 UPDate][:STATe], 2-50
MMEMory:IMPort:PARAmeter:LEVel[:UPDate]:
 CHANnel, 2-51
MMEMory:IMPort:PARAmeter:LEVel[:UPDate][:
 STATe], 2-51
MMEMory:IMPort:PARAmeter:NORMalize, 2-52
MMEMory:CATalog?, 2-46
MMEMory:CDIRectory, 2-47
MMEMory:DATA, 2-48
MMEMory:DELeTe, 2-48
MMEMory:IMPort, 2-49
MMEMory:MDIRectory, 2-53
MMEMory:MSIS, 2-53

O

*OPC, 2-54
*OPT?, 2-54
OUTPut[n]:FILTer[:LPASs]:FREQuency, 2-55
OUTPut[n][:STATe], 2-55

R

*RST, 2-56

S

SEQuence:ELEMent[n]:GOTO:INDex, 2-56
SEQuence:ELEMent[n]:GOTO:STATe, 2-57
SEQuence:ELEMent[n]:JTARget:INDex, 2-58
SEQuence:ELEMent[n]:JTARget:TYPE, 2-58
SEQuence:ELEMent[n]:LOOP:COUNT, 2-59

SEQUence:ELEMent[n]:LOOP:INFinite, 2-60
 SEQUence:ELEMent[n]:TWAit, 2-60
 SEQUence:ELEMent[n]:WAVEform, 2-61
 SEQUence:JUMP[:IMMEDIATE], 2-62
 SEQUence:LENGth, 2-62
 [SOURce[1]]:FREQUency[:CW]:FIXed], 2-63
 [SOURce[1]]:ROSCillator:FREQUency, 2-64
 [SOURce[1]]:ROSCillator:MULTIplier, 2-65
 [SOURce[1]]:ROSCillator:SOURce, 2-65
 [SOURce[1]]:ROSCillator:TYPE, 2-66
 [SOURce[n]]:COMBine:FEED, 2-67
 [SOURce[n]]:DAC:RESolution, 2-67
 [SOURce[n]]:DELAy:POINTs, 2-69
 [SOURce[n]]:DELAy[:ADJust], 2-68
 [SOURce[n]]:DIGital:VOLTage[:LEVel][:
 IMMEDIATE]:HIGH, 2-70
 [SOURce[n]]:DIGital:VOLTage[:LEVel][:
 IMMEDIATE]:LOW, 2-71
 [SOURce[n]]:DIGital:VOLTage[:LEVel][:
 IMMEDIATE]:OFFSet, 2-72
 [SOURce[n]]:DIGital:VOLTage[:LEVel][:
 IMMEDIATE]:AMPLitude], 2-70
 [SOURce[n]]:FUNCTION:USER, 2-72
 [SOURce[n]]:MARKer[1|2]:DELAy, 2-73
 [SOURce[n]]:MARKer[1|2]:VOLTage[:LEVel][:
 IMMEDIATE]:HIGH, 2-74
 [SOURce[n]]:MARKer[1|2]:VOLTage[:LEVel][:
 IMMEDIATE]:LOW, 2-75
 [SOURce[n]]:MARKer[1|2]:VOLTage[:LEVel][:
 IMMEDIATE]:OFFSet, 2-76
 [SOURce[n]]:MARKer[1|2]:VOLTage[:LEVel][:
 IMMEDIATE]:AMPLitude], 2-74
 [SOURce[n]]:PDELAy:HOLD, 2-76
 [SOURce[n]]:PHASe[:ADJust], 2-77
 [SOURce[n]]:VOLTage[:LEVel][:IMMEDIATE]:
 HIGH, 2-79
 [SOURce[n]]:VOLTage[:LEVel][:IMMEDIATE]:
 LOW, 2-79
 [SOURce[n]]:VOLTage[:LEVel][:IMMEDIATE]:
 OFFSet, 2-80
 [SOURce[n]]:VOLTage[:LEVel][:IMMEDIATE][:
 AMPLitude], 2-78
 [SOURce[n]]:WAVEform, 2-81

[SOURce[n]]:SKEW, 2-78
 *SRE, 2-81
 STATus:OPERation:CONDition?, 2-82
 STATus:OPERation:ENABle, 2-82
 STATus:OPERation[:EVENT]?, 2-82
 STATus:QUESTionable:CONDition?, 2-83
 STATus:QUESTionable:ENABle, 2-84
 STATus:QUESTionable[:EVENT]?, 2-84
 STATus:PRESet, 2-83
 *STB?, 2-84
 SYSTem:ERRor[:NEXT]?, 2-85
 SYSTem:DATE, 2-85
 SYSTem:KLOCK, 2-86
 SYSTem:TIME, 2-87
 SYSTem:VERSiON?, 2-87

T

*TRG, 2-88
 TRIGger[:SEQUence]:IMPedance, 2-88
 TRIGger[:SEQUence]:LEVel, 2-89
 TRIGger[:SEQUence]:MODE, 2-89
 TRIGger[:SEQUence]:POLarity, 2-90
 TRIGger[:SEQUence]:SLOPe, 2-91
 TRIGger[:SEQUence]:SOURce, 2-91
 TRIGger[:SEQUence]:TIMER, 2-92
 TRIGger[:SEQUence]:WVALue, 2-92
 TRIGger[:SEQUence][:IMMEDIATE], 2-88
 *TST?, 2-93

W

*WAI, 2-93
 WLISt:WAVEform:DELeTe, 2-96
 WLISt:WAVEform:LENGth?, 2-97
 WLISt:WAVEform:MARKer:DATA, 2-97
 WLISt:WAVEform:PREDeFined?, 2-99
 WLISt:WAVEform:TSTamp?, 2-99
 WLISt:WAVEform:TYPE?, 2-100
 WLISt:NAME?, 2-94
 WLISt:SIZE?, 2-94
 WLISt:WAVEform:DATA, 2-95
 WLISt:WAVEform:NEW, 2-98